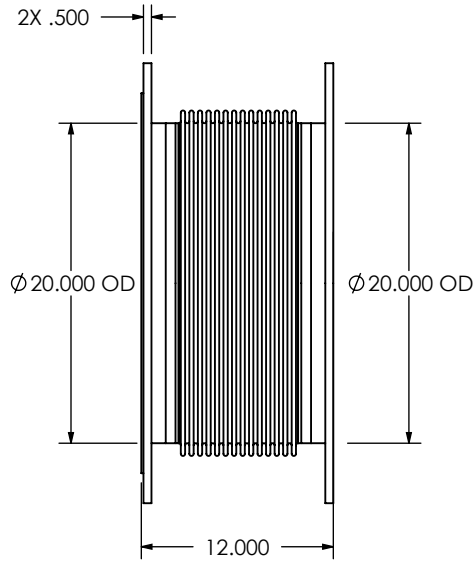
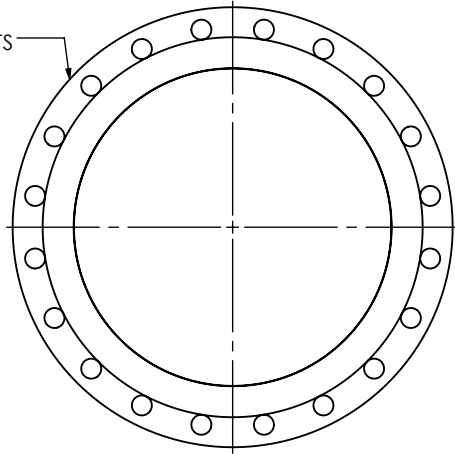
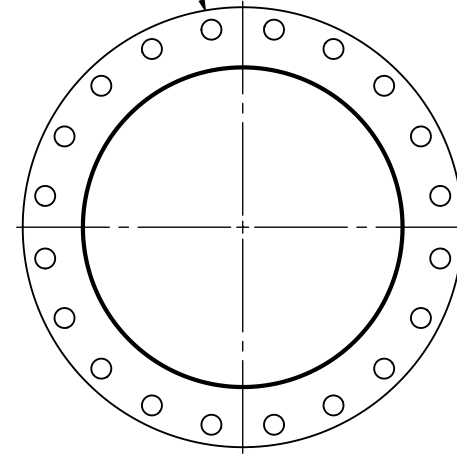


20" FF FLANGE  
150 lb ANSI  
STANDARD  
BOLT PATTERN  
FLANGE FLOATS



20" FF FLANGE  
150 lb ANSI  
STANDARD  
BOLT PATTERN



**NOTES:**

- DO NOT USE EQUIPMENT TO SUPPORT OTHER PARTS OF THE EXHAUST SYSTEM WITHOUT PROPER REINFORCEMENT

**MATERIAL CONSTRUCTION:**

- 304SS/321SS

**PAINT:**

- NONE

PROJECT NAME
PROPOSAL NUMBER
SALES ORDER NO.
CUSTOMER P.O.



**PROPRIETARY AND CONFIDENTIAL**

THE INFORMATION CONTAINED IN THIS DRAWING IS THE SOLE PROPERTY OF MIRATECH GROUP, LLC. ANY REPRODUCTION IN PART OR AS A WHOLE WITHOUT THE WRITTEN PERMISSION OF MIRATECH GROUP, LLC IS PROHIBITED.

DIMENSIONS ARE IN INCHES UNLESS OTHERWISE SPECIFIED

DIMENSIONAL TOLERANCES UNLESS OTHERWISE SPECIFIED	
ANGLES	
MACH: ±1°	INCHES: ±0.125
BEND: ±3°	MILLIMETERS: ±2

DO NOT SCALE DRAWING	
DRAWN	DATE
CLV	6/9/2017
REVIEWED BY	DATE
AJM	6/9/2017

 <b>MIRATECH</b>		
<b>BL120-20PF1-20PF2-120-3</b> <b>Sales Drawing</b>		
DRAWING		REV
BL120-20PF1-20PF2-120-3 SD		0
SIZE	SCALE 1:12	WEIGHT: 82 lb
A		SHEET 1 OF 1