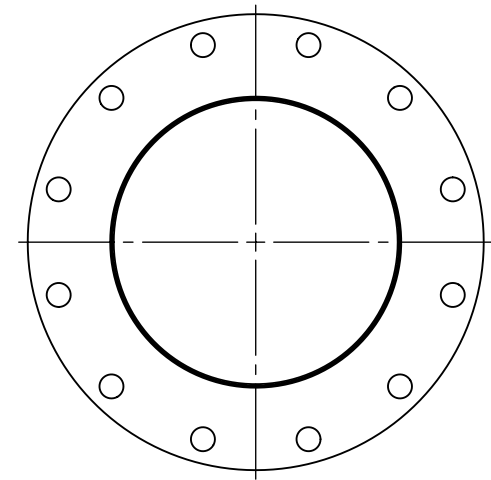
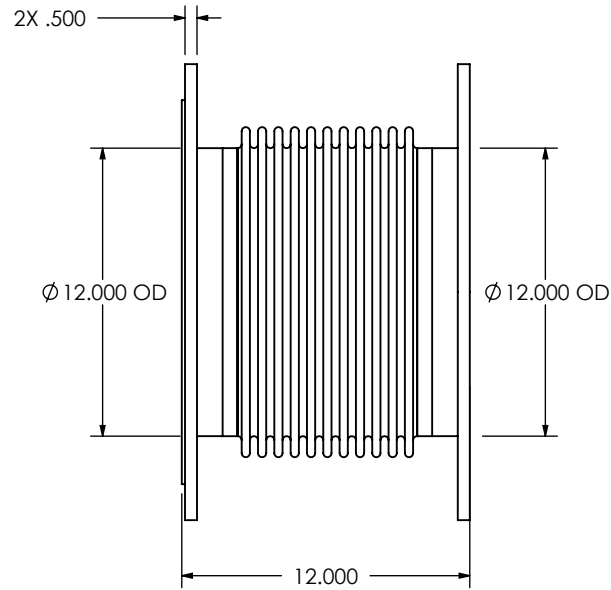
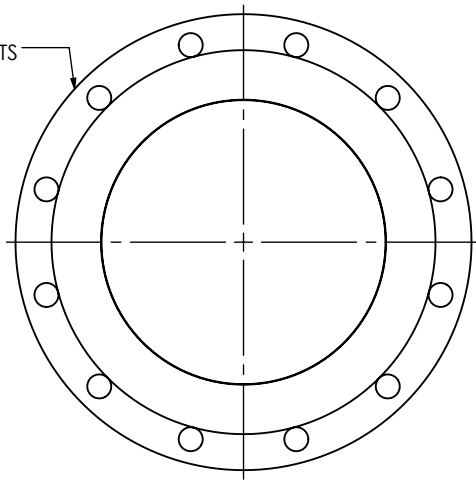


(2) 12" FF FLANGE
 150 lb ANSI
 STANDARD
 BOLT PATTERN
 FLANGE FLOATS



NOTES:

- DO NOT USE EQUIPMENT TO SUPPORT OTHER PARTS OF THE EXHAUST SYSTEM WITHOUT PROPER REINFORCEMENT

MATERIAL CONSTRUCTION:

- 304SS/321SS

PAINT:

- NONE

PROJECT NAME University of Guelph
PROPOSAL NUMBER SH-16-1948
SALES ORDER NO. 22105
CUSTOMER P.O. P1125-UG0225

PROPRIETARY AND CONFIDENTIAL
 THE INFORMATION CONTAINED IN THIS DRAWING IS THE SOLE PROPERTY OF MIRATECH GROUP, LLC. ANY REPRODUCTION IN PART OR AS A WHOLE WITHOUT THE WRITTEN PERMISSION OF MIRATECH GROUP, LLC IS PROHIBITED.

DIMENSIONS ARE IN INCHES UNLESS OTHERWISE SPECIFIED	
DIMENSIONAL TOLERANCES UNLESS OTHERWISE SPECIFIED	
ANGLES	
MACH: ±1°	INCHES: ±0.125
BEND: ±3°	MILLIMETERS: ±2
DO NOT SCALE DRAWING	
DRAWN CLV	DATE 4/11/2017
REVIEWED BY AJM	DATE 4/11/2017

BL212-12TF1-12TF2-120-3 Submittal Drawing			
DRAWING BEL212-12PF1-12PF1-120-3 SD			REV 0
SIZE A	SCALE 1:8	WEIGHT: 52 lb	SHEET 1 OF 1