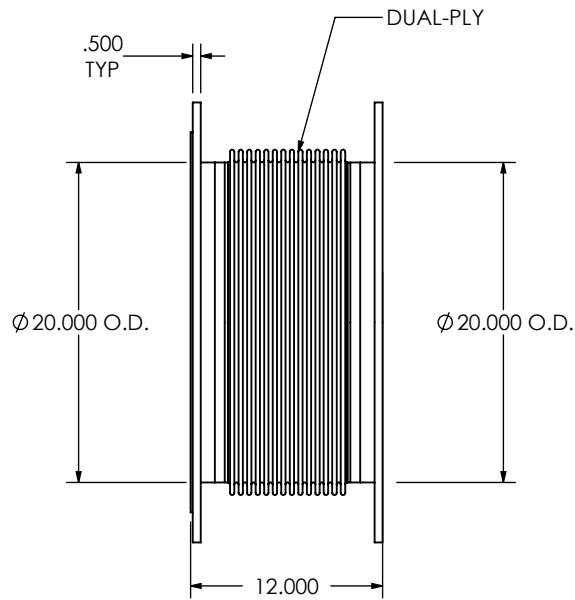
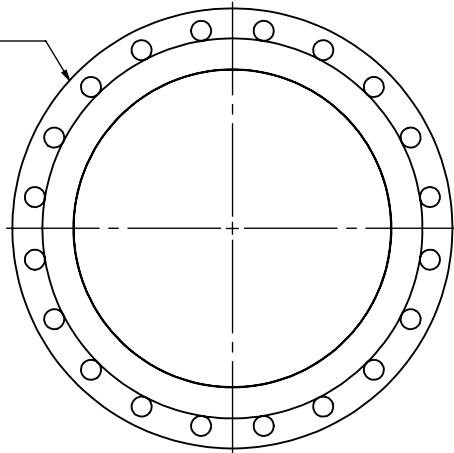
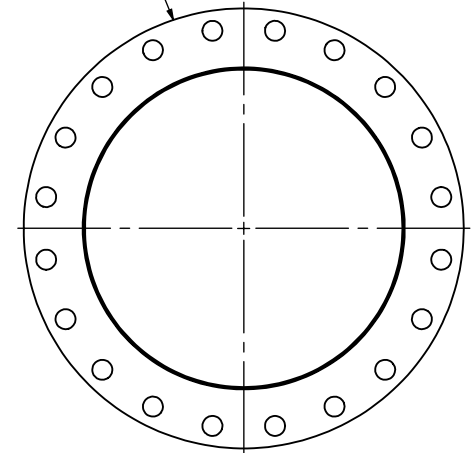


20" FF FLANGE
150 lb ANSI
STANDARD
BOLT PATTERN
FLANGE FLOATS



20" FF FLANGE
150 lb ANSI
STANDARD
BOLT PATTERN



NOTES:

- DO NOT USE EQUIPMENT TO SUPPORT OTHER PARTS OF THE EXHAUST SYSTEM WITHOUT PROPER REINFORCEMENT

MATERIAL CONSTRUCTION:

- CARBON STEEL/321 STAINLESS STEEL

PAINT:



- HIGH TEMPERATURE BLACK (MIRATECH COATING SYSTEM 5)

| | |
|-----------------|--|
| PROJECT NAME | |
| PROPOSAL NUMBER | |
| SALES ORDER NO. | |
| CUSTOMER P.O. | |

PROPRIETARY AND CONFIDENTIAL

THE INFORMATION CONTAINED IN THIS DRAWING IS THE SOLE PROPERTY OF MIRATECH GROUP, LLC. ANY REPRODUCTION IN PART OR AS A WHOLE WITHOUT THE WRITTEN PERMISSION OF MIRATECH GROUP, LLC IS PROHIBITED.

| | |
|-----------------------------------------------------------------|-----------------|
| DIMENSIONS ARE APPROXIMATE IN INCHES UNLESS OTHERWISE SPECIFIED | |
| DIMENSIONAL TOLERANCES UNLESS OTHERWISE SPECIFIED | |
| ANGLES | |
| MACH: ±2° | INCHES: ±0.125 |
| BEND: ±3° | MILLIMETERS: ±5 |
| DO NOT SCALE DRAWING | |
| DRAWN | DATE |
| SSC | 4/16/2018 |
| REVIEWED BY | DATE |
| CAC | 4/16/2018 |

| | |
|-----------------------------------------------------------------------------------------------------------------------------------------------------------------------------|-------|
|   | |
| BL220-20PF1-20PF2-120-2 Sales Drawing | |
| DRAWING | |
| BL220-20PF1-20PF2-120-2 SD | |
| REV | 0 |
| SIZE | A |
| SCALE | 1:12 |
| WEIGHT | 82 lb |
| SHEET 1 OF 1 | |