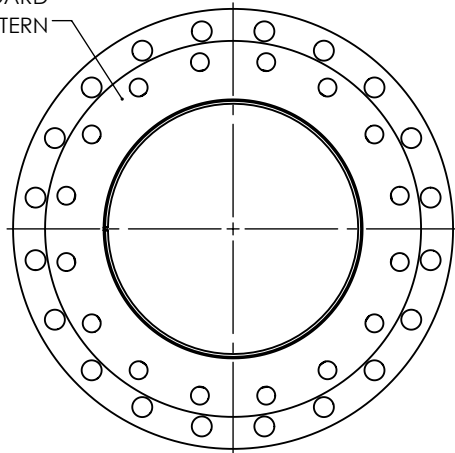
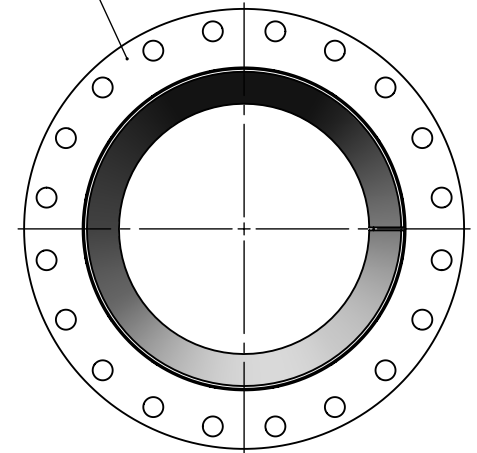
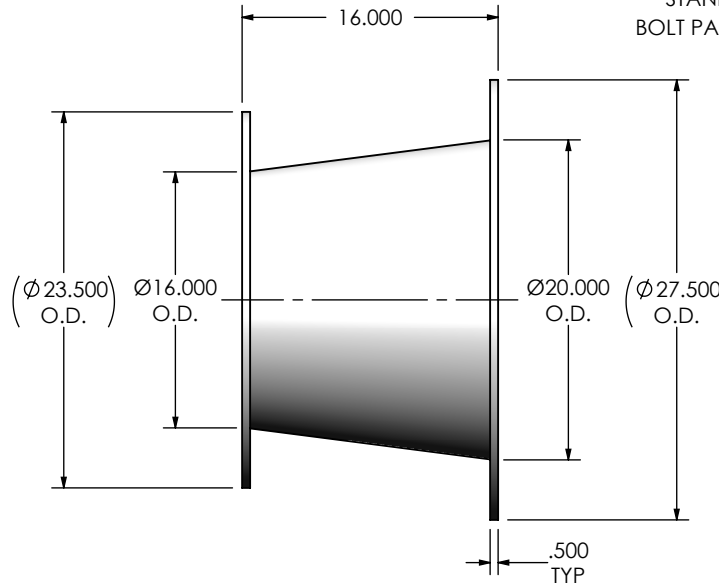
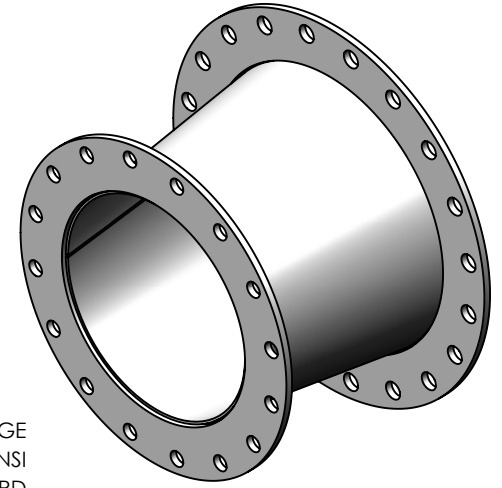


16" FF FLANGE
150 lb ANSI
STANDARD
BOLT PATTERN



20" FF FLANGE
150 lb ANSI
STANDARD
BOLT PATTERN



NOTES:

- DO NOT USE EQUIPMENT TO SUPPORT OTHER PARTS OF THE EXHAUST SYSTEM WITHOUT PROPER REINFORCEMENT

MATERIAL CONSTRUCTION:

- 304SS

PAINT:



- NONE

PROJECT NAME	<p>PROPRIETARY AND CONFIDENTIAL</p> <p>THE INFORMATION CONTAINED IN THIS DRAWING IS THE SOLE PROPERTY OF MIRATECH GROUP, LLC. ANY REPRODUCTION IN PART OR AS A WHOLE WITHOUT THE WRITTEN PERMISSION OF MIRATECH GROUP, LLC IS PROHIBITED.</p>
PROPOSAL NUMBER	
SALES ORDER NO.	
CUSTOMER P.O.	

PROPRIETARY AND CONFIDENTIAL

THE INFORMATION CONTAINED IN THIS DRAWING IS THE SOLE PROPERTY OF MIRATECH GROUP, LLC. ANY REPRODUCTION IN PART OR AS A WHOLE WITHOUT THE WRITTEN PERMISSION OF MIRATECH GROUP, LLC IS PROHIBITED.

DIMENSIONS ARE IN INCHES UNLESS OTHERWISE SPECIFIED	
DIMENSIONAL TOLERANCES UNLESS OTHERWISE SPECIFIED	
ANGLES	
MACH: $\pm 1^*$	INCHES: ± 0.125
BEND: $\pm 3^*$	MILLIMETERS: ± 2
DO NOT SCALE DRAWING	
DRAWN	DATE
JFS	6/26/2017
REVIEWED BY	DATE
CAC	6/26/2017

			
<p>CN-16PF1-20PF1-160-3 Sales Drawing</p>			
DRAWING		CN-16PF1-20PF1-160-3 SD	
REV	0	SCALE 1:12	WEIGHT: 111 lb
SHEET 1 OF 1			