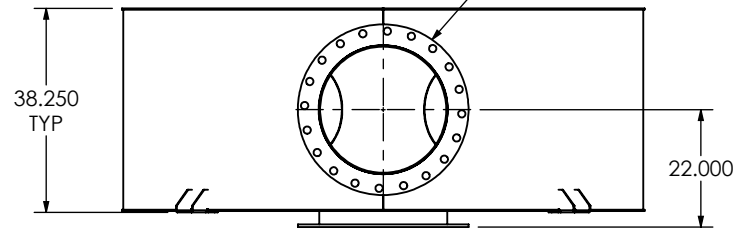
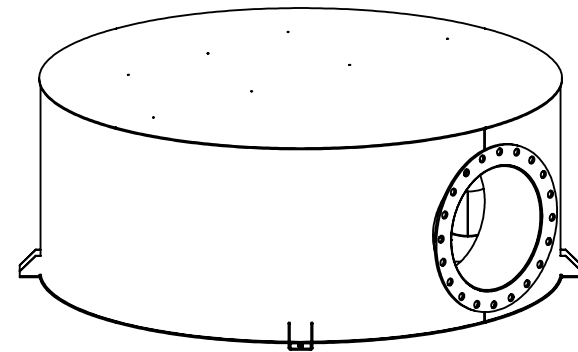
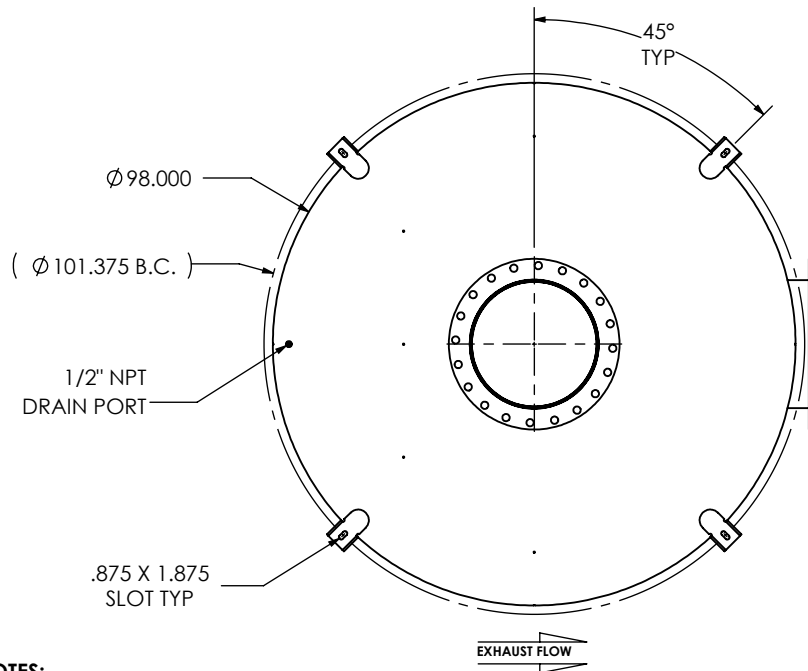


Ø 32.000 O.D.
TYP



(2) 24" FF FLANGE
150 lb ANSI
STANDARD
BOLT PATTERN

Ø 24.000 O.D.
TYP



NOTES:

- DO NOT USE EQUIPMENT TO SUPPORT OTHER PARTS OF THE EXHAUST SYSTEM WITHOUT PROPER REINFORCEMENT

MATERIAL CONSTRUCTION:

- 304 STAINLESS STEEL

PAINT:

- NONE

PROJECT NAME	
PROPOSAL NUMBER	
SALES ORDER NO.	
CUSTOMER P.O.	

PROPRIETARY AND CONFIDENTIAL

THE INFORMATION CONTAINED IN THIS DRAWING IS THE SOLE PROPERTY OF MIRATECH GROUP, LLC. ANY REPRODUCTION IN PART OR AS A WHOLE WITHOUT THE WRITTEN PERMISSION OF MIRATECH GROUP, LLC IS PROHIBITED.

DIMENSIONS ARE IN INCHES UNLESS OTHERWISE SPECIFIED			
DIMENSIONAL TOLERANCES UNLESS OTHERWISE SPECIFIED			
ANGLES			
MACH:	±1"	INCHES:	±0.125
BEND:	±3"	MILLIMETERS:	±2
DO NOT SCALE DRAWING			
DRAWN	FES	DATE	10/14/2016
REVIEWED BY	AJM	DATE	10/21/2016

DKSCBA2B-24PF-3-0000C7K0 Sales Drawing			
DRAWING		DKSCBA2B-24PF-3-0000C7K0 SD	
REV	0	SCALE	1:36
SIZE	A	WEIGHT	2954 lb
		SHEET 1 OF 1	