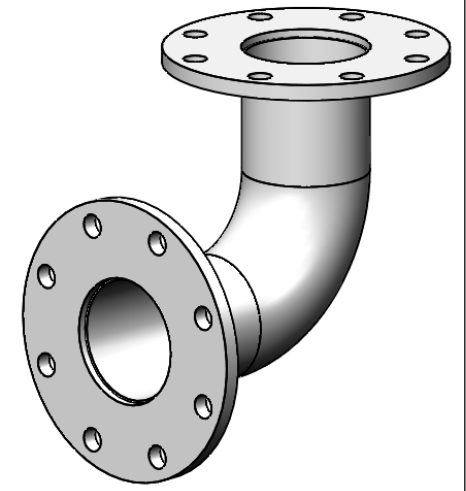
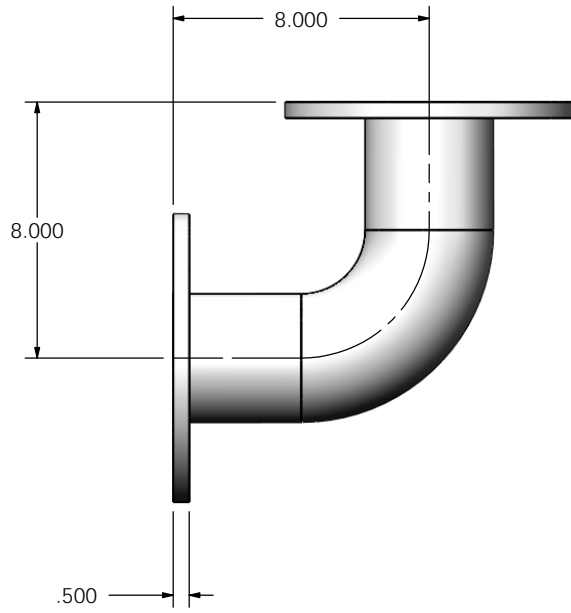


(2) 4" FF FLANGE  
150 lb ANSI  
STANDARD  
BOLT PATTERN



**NOTES:**



- DO NOT USE EQUIPMENT TO SUPPORT OTHER PARTS OF THE EXHAUST SYSTEM WITHOUT PROPER REINFORCEMENT

**MATERIAL CONSTRUCTION:**

- 304 STAINLESS STEEL

**PAINT:**

- NONE

PROJECT NAME	<b>PROPRIETARY AND CONFIDENTIAL</b>  THE INFORMATION CONTAINED IN THIS DRAWING IS THE SOLE PROPERTY OF MIRATECH GROUP, LLC. ANY REPRODUCTION IN PART OR AS A WHOLE WITHOUT THE WRITTEN PERMISSION OF MIRATECH GROUP, LLC IS PROHIBITED.	DIMENSIONS ARE IN INCHES UNLESS OTHERWISE SPECIFIED <small>DIMENSIONAL TOLERANCES UNLESS OTHERWISE SPECIFIED</small> ANGLES: MACH: ±1°    INCHES: ±0.125 BEND: ±3°    MILLIMETERS: ±2		 			
PROPOSAL NUMBER		DO NOT SCALE DRAWING		<b>EL-04TF1-04TF1-080X0080-3</b> <b>Sales Drawing</b>			
SALES ORDER NO.		DRAWN	DATE	DRAWING		REV	
CUSTOMER P.O.		CSF	12/05/2016	EL-04TF1-04TF1-080X0080-3 SD		0	
		REVIEWED BY	DATE	SIZE	SCALE 1:6	WEIGHT: 17 lb	SHEET 1 OF 1
		AJM	12/05/2016	A			