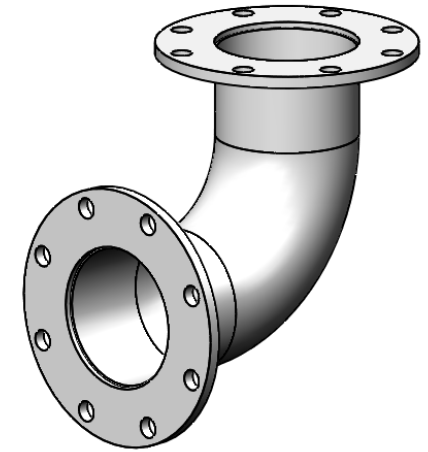
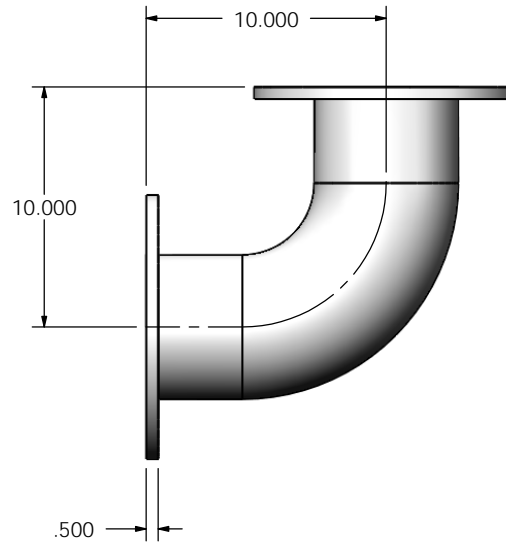


(2) 6" FF FLANGE  
150 lb ANSI  
STANDARD  
BOLT PATTERN



**NOTES:**



- DO NOT USE EQUIPMENT TO SUPPORT OTHER PARTS OF THE EXHAUST SYSTEM WITHOUT PROPER REINFORCEMENT

**MATERIAL CONSTRUCTION:**

- 304 STAINLESS STEEL

**PAINT:**

- NONE

PROJECT NAME		<b>PROPRIETARY AND CONFIDENTIAL</b>  THE INFORMATION CONTAINED IN THIS DRAWING IS THE SOLE PROPERTY OF MIRATECH GROUP, LLC. ANY REPRODUCTION IN PART OR AS A WHOLE WITHOUT THE WRITTEN PERMISSION OF MIRATECH GROUP, LLC IS PROHIBITED.	DIMENSIONS ARE IN INCHES UNLESS OTHERWISE SPECIFIED <small>DIMENSIONAL TOLERANCES UNLESS OTHERWISE SPECIFIED</small> ANGLES: MACH: ±1°    INCHES: ±0.125 BEND: ±3°    MILLIMETERS: ±2		 	
PROPOSAL NUMBER			DO NOT SCALE DRAWING		<b>EL-06TF1-06TF1-100X0100-3</b> Sales Drawing	
SALES ORDER NO.			DRAWN	DATE	DRAWING	
CUSTOMER P.O.			CSF	12/05/2016	EL-06TF1-06TF1-100X0100-3	
		REVIEWED BY	DATE	SIZE	SCALE	WEIGHT
		AJM	12/05/2016	A	1:8	25 lb
				REV	SHEET 1 OF 1	
				0		