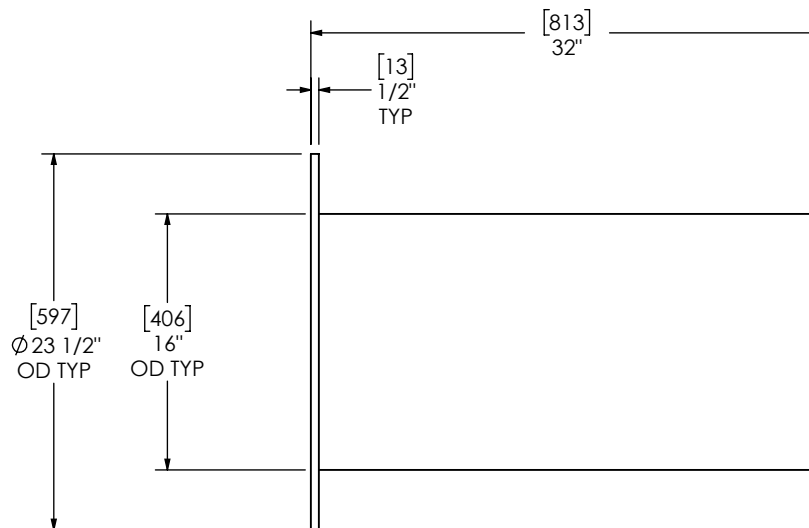
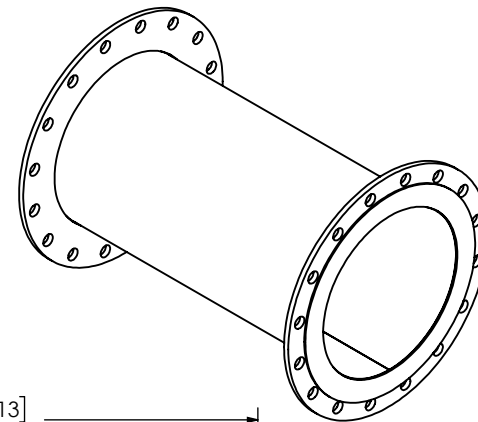
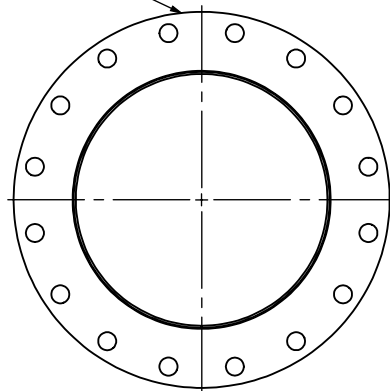


16" FF FLANGE
150lb ANSI
STANDARD
BOLT PATTERN
FIXED



16" FF FLANGE
150lb ANSI
STANDARD
BOLT PATTERN
FLANGE SHIPS LOOSE

NOTES:



- DO NOT USE EQUIPMENT TO SUPPORT OTHER PARTS OF THE EXHAUST SYSTEM WITHOUT PROPER REINFORCEMENT

MATERIAL CONSTRUCTION:

- CARBON STEEL

PAINT:

- HIGH TEMPERATURE BLACK (MIRATECH COATING SYSTEM 5)

PROJECT NAME	PROPRIETARY AND CONFIDENTIAL	DIMENSIONS ARE APPROXIMATE IN INCHES UNLESS OTHERWISE SPECIFIED		 			
PROPOSAL NUMBER	THE INFORMATION CONTAINED IN THIS DRAWING IS THE SOLE PROPERTY OF MIRATECH GROUP, LLC. ANY REPRODUCTION IN PART OR AS A WHOLE WITHOUT THE WRITTEN PERMISSION OF MIRATECH GROUP, LLC IS PROHIBITED.	<small>DIMENSIONAL TOLERANCES UNLESS OTHERWISE SPECIFIED</small> ANGLES MACH: ±2° INCHES: ±1/8 BEND: ±3° MILLIMETERS: ±5					
SALES ORDER NO.		DO NOT SCALE DRAWING		EXT-16PF1-16PF2-0320-2 Sales Drawing			
CUSTOMER P.O.		DRAWN JFH	DATE 04/20/2021	DRAWING EXT-16PF1-16PF2-0320-2 SD		REV 0	
		REVIEWED BY CAC	DATE 04/20/2021	SIZE A	SCALE 1:12	WEIGHT: 124.383 lb	SHEET 1 OF 1