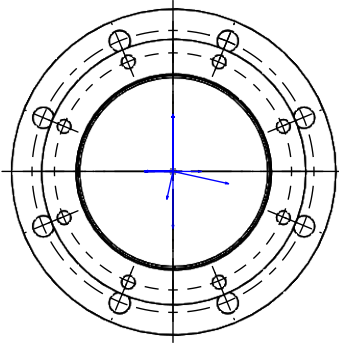
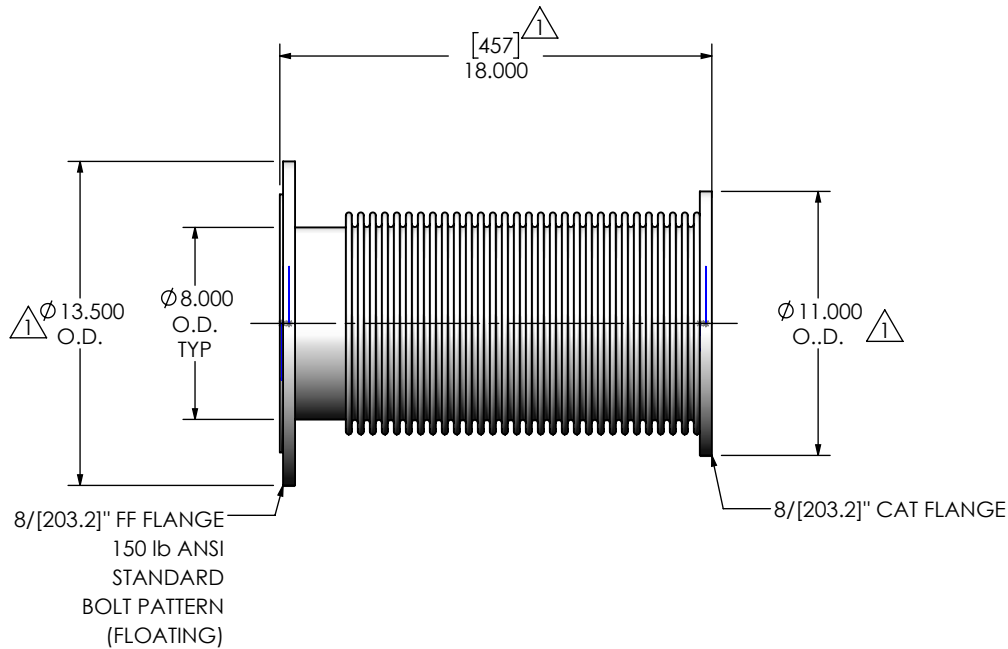
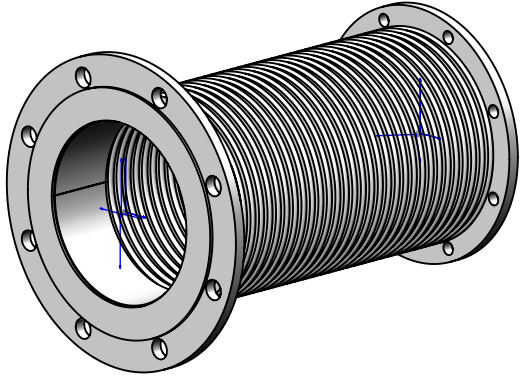


REVISIONS				
REV.	DESCRIPTION	DATE	SHEET(S)	DRAWN BY
1	ADD DUAL DIM, ADD 13.50 & 11.0 DIM	4/3/2018	1	FES



**NOTES:**

- DO NOT USE EQUIPMENT TO SUPPORT OTHER PARTS OF THE EXHAUST SYSTEM WITHOUT PROPER REINFORCEMENT

**MATERIAL CONSTRUCTION:**

- CARBON STEEL

**PAINT:**




- HIGH TEMPERATURE BLACK (MIRATECH COATING SYSTEM 5)

PROJECT NAME	
PROPOSAL NUMBER	
SALES ORDER NO.	
CUSTOMER P.O.	

**PROPRIETARY AND CONFIDENTIAL**

THE INFORMATION CONTAINED IN THIS DRAWING IS THE SOLE PROPERTY OF MIRATECH GROUP, LLC. ANY REPRODUCTION IN PART OR AS A WHOLE WITHOUT THE WRITTEN PERMISSION OF MIRATECH GROUP, LLC IS PROHIBITED.

DIMENSIONS ARE IN INCHES UNLESS OTHERWISE SPECIFIED	
DIMENSIONAL TOLERANCES UNLESS OTHERWISE SPECIFIED	
ANGLES:	
MACH: $\pm 1^{\circ}$	INCHES: $\pm 0.125$
BEND: $\pm 3^{\circ}$	MILLIMETERS: $\pm 2$
DO NOT SCALE DRAWING	
DRAWN	DATE
CSF	03/16/2018
REVIEWED BY	DATE
LCM	03/16/2018

 	
<b>FL08-08CA1-08TF2-180-2</b> <b>Sales Drawing</b>	
	
DRAWING	
FL08-08CA1-08TF2-180-2 SD	
REV	1
SIZE	A
SCALE	1:8
WEIGHT	27 lb
SHEET 1 OF 1	