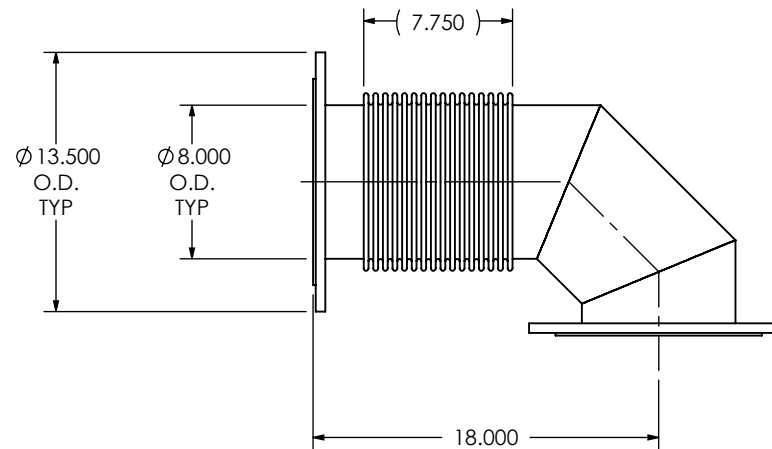
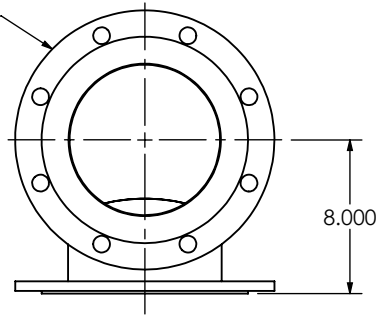


(2) 8" FF FLANGE  
150 lb ANSI  
STANDARD  
BOLT PATTERN  
(FLANGE FLOATS)



**NOTES:**

- DO NOT USE EQUIPMENT TO SUPPORT OTHER PARTS OF THE EXHAUST SYSTEM WITHOUT PROPER REINFORCEMENT

**MATERIAL CONSTRUCTION:**

- CARBON STEEL/321 STAINLESS STEEL

**PAINT:**

- HIGH TEMPERATURE BLACK (MIRATECH COATING SYSTEM 5) (CARBON STEEL ONLY)

PROJECT NAME
PROPOSAL NUMBER
SALES ORDER NO.
CUSTOMER P.O.

**PROPRIETARY AND CONFIDENTIAL**  
THE INFORMATION CONTAINED IN THIS DRAWING IS THE SOLE PROPERTY OF MIRATECH GROUP, LLC. ANY REPRODUCTION IN PART OR AS A WHOLE WITHOUT THE WRITTEN PERMISSION OF MIRATECH GROUP, LLC IS PROHIBITED.

DIMENSIONS ARE IN INCHES UNLESS OTHERWISE SPECIFIED			
DIMENSIONAL TOLERANCES UNLESS OTHERWISE SPECIFIED			
ANGLES:			
MACH: ±1°	INCHES:	±0.125	
BEND: ±3°	MILLIMETERS:	±2	
DO NOT SCALE DRAWING			
DRAWN	DATE	DRAWING	
SSC	2/6/2018	FLO8-08TF2-08TF2-EL080X180-2 SD	
REVIEWED BY	DATE	SIZE	REV
CAC	2/6/2018	A	0

<b>FLO8-08TF2-08TF2-EL080X180-2</b> <b>Sales Drawing</b>			
SCALE 1:10	WEIGHT: 39 lb	SHEET 1 OF 1	