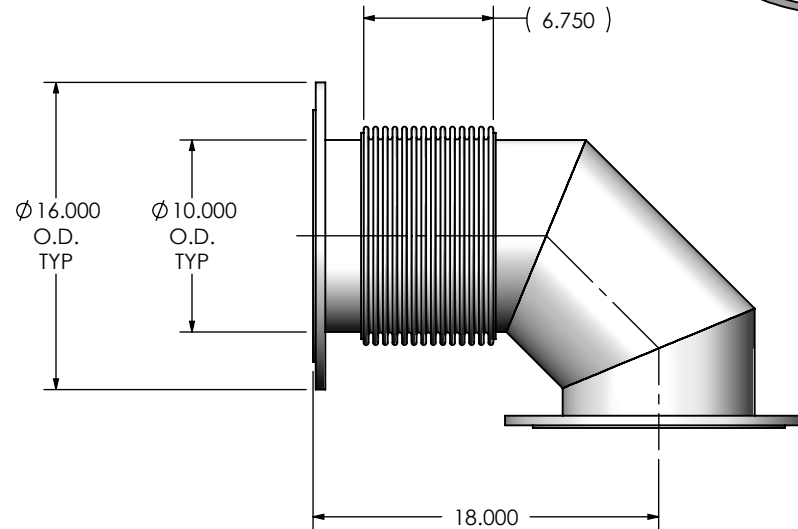
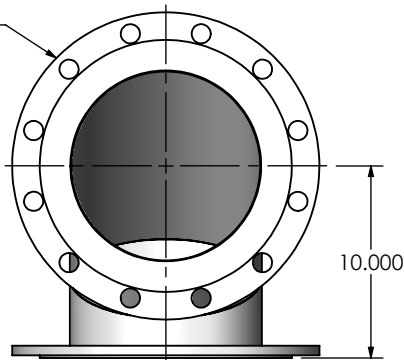


(2) 10" FF FLANGE
150 lb ANSI
STANDARD
BOLT PATTERN
(FLANGE FLOATS)



NOTES:

- DO NOT USE EQUIPMENT TO SUPPORT OTHER PARTS OF THE EXHAUST SYSTEM WITHOUT PROPER REINFORCEMENT

MATERIAL CONSTRUCTION:

- CARBON STEEL/321 STAINLESS STEEL

PAINT:

- HIGH TEMPERATURE BLACK (MIRATECH COATING SYSTEM 5) (CARBON STEEL ONLY)

PROJECT NAME
PROPOSAL NUMBER
SALES ORDER NO.
CUSTOMER P.O.

PROPRIETARY AND CONFIDENTIAL

THE INFORMATION CONTAINED IN THIS DRAWING IS THE SOLE PROPERTY OF MIRATECH GROUP, LLC. ANY REPRODUCTION IN PART OR AS A WHOLE WITHOUT THE WRITTEN PERMISSION OF MIRATECH GROUP, LLC IS PROHIBITED.

DIMENSIONS ARE IN INCHES UNLESS OTHERWISE SPECIFIED

DIMENSIONAL TOLERANCES UNLESS OTHERWISE SPECIFIED	
ANGLES:	
MACH: ±1°	INCHES: ±0.125
BEND: ±3°	MILLIMETERS: ±2

DO NOT SCALE DRAWING

DRAWN	DATE
SSC	2/6/2018
REVIEWED BY	DATE
CAC	2/6/2018



**FL10-10TF2-10TF2-EL100X180-2
Sales Drawing**

DRAWING	FL10-10TF2-10TF2-EL100X180-2 SD	REV	0
SIZE	A	SCALE	1:10
WEIGHT	55 lb	SHEET	1 OF 1