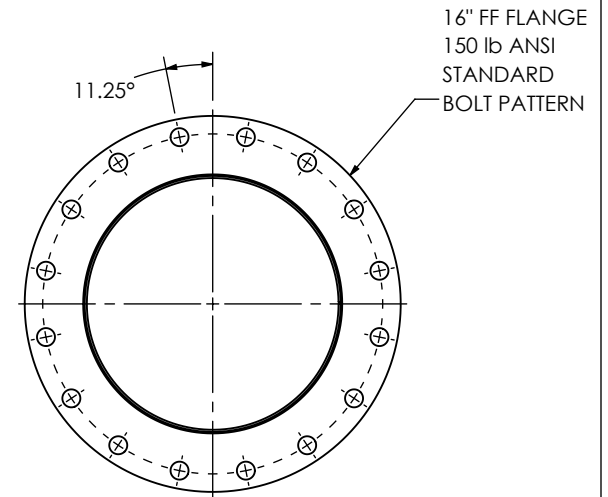
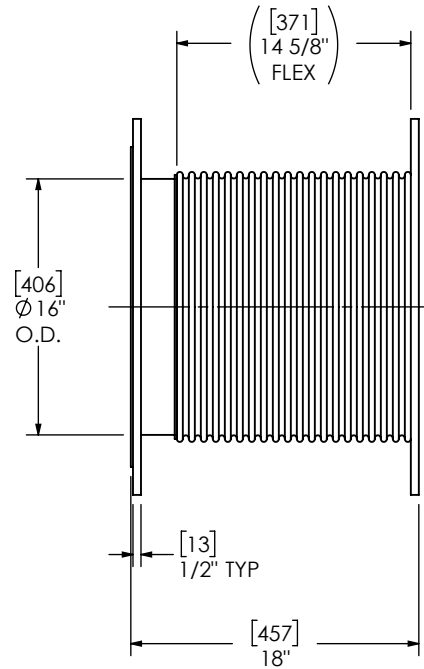
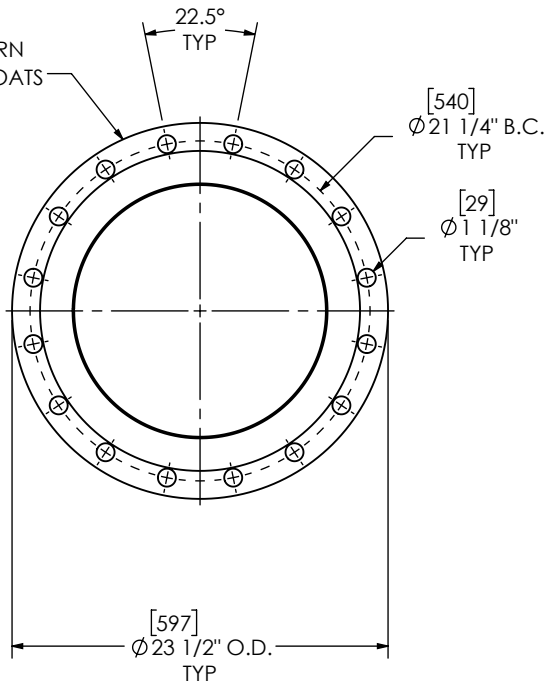


16" FF FLANGE
150 lb ANSI
STANDARD
BOLT PATTERN
FLANGE FLOATS



NOTES:

- DO NOT USE EQUIPMENT TO SUPPORT OTHER PARTS OF THE EXHAUST SYSTEM WITHOUT PROPER REINFORCEMENT

MATERIAL CONSTRUCTION:

- 304 STAINLESS STEEL \ 321 STAINLESS STEEL

PAINT:

- NONE (MIRATECH COATING SYSTEM 4)

PROJECT NAME	
PROPOSAL NUMBER	
SALES ORDER NO.	
CUSTOMER P.O.	

PROPRIETARY AND CONFIDENTIAL

THE INFORMATION CONTAINED IN THIS DRAWING IS THE SOLE PROPERTY OF MIRATECH GROUP, LLC. ANY REPRODUCTION IN PART OR AS A WHOLE WITHOUT THE WRITTEN PERMISSION OF MIRATECH GROUP, LLC IS PROHIBITED.

DIMENSIONS ARE APPROXIMATE IN INCHES UNLESS OTHERWISE SPECIFIED	
DIMENSIONAL TOLERANCES UNLESS OTHERWISE SPECIFIED	
ANGLES	
MACH: ±2*	INCHES: ±1/8
BEND: ±3*	MILLIMETERS: ±5
DO NOT SCALE DRAWING	
DRAWN	DATE
MAM	01/07/2019
REVIEWED BY	DATE
CAC	01/07/2019

FL16-16PF1-16PF2-180-3 Sales Drawing			
DRAWING		REV	
FL16-16PF1-16PF2-180-3 SD		0	
SIZE	SCALE 1:12	WEIGHT: 81 lb	SHEET 1 OF 1