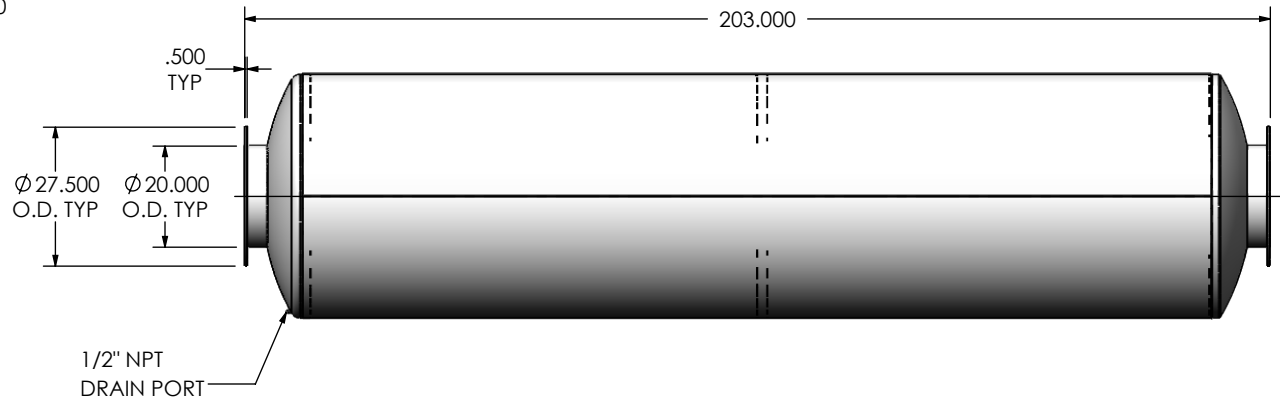
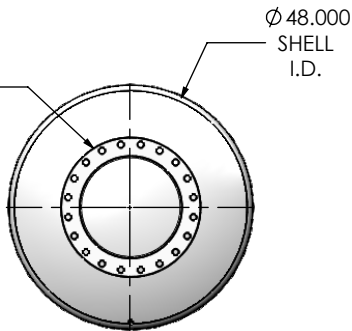


(2) 20" FF FLANGE
150 lb ANSI
STANDARD
BOLT PATTERN



EXHAUST FLOW

NOTES:

- DO NOT USE EQUIPMENT TO SUPPORT OTHER PARTS OF THE EXHAUST SYSTEM WITHOUT PROPER REINFORCEMENT

MATERIAL CONSTRUCTION:

- CARBON STEEL

PAINT:

- HIGH TEMPERATURE BLACK (MIRATECH COATING SYSTEM 5)

PROJECT NAME	<p>PROPRIETARY AND CONFIDENTIAL</p> <p>THE INFORMATION CONTAINED IN THIS DRAWING IS THE SOLE PROPERTY OF MIRATECH GROUP, LLC. ANY REPRODUCTION IN PART OR AS A WHOLE WITHOUT THE WRITTEN PERMISSION OF MIRATECH GROUP, LLC IS PROHIBITED.</p>	<p>DIMENSIONS ARE IN INCHES UNLESS OTHERWISE SPECIFIED</p>					
PROPOSAL NUMBER		<p>ANGLES: _____</p> <p>MACH: ±1" INCHES: ±0.125 BEND: ±3" MILLIMETERS: ±2</p>					
SALES ORDER NO.		<p>DO NOT SCALE DRAWING</p>		<p>JCEE0-20PF-2-00000000 Sales Drawing</p>			
CUSTOMER P.O.		<p>DRAWN: JFS DATE: 08/08/2016</p>	<p>DATE: 08/19/2016</p>		<p>DRAWING: JCEE0-20PF-2-00000000 SD</p>		
		<p>REVIEWED BY: EQJ</p>	<p>SIZE: A</p>	<p>SCALE: 1:38</p>	<p>WEIGHT: 1504 lb</p>	<p>REV: 0</p>	<p>SHEET 1 OF 1</p>