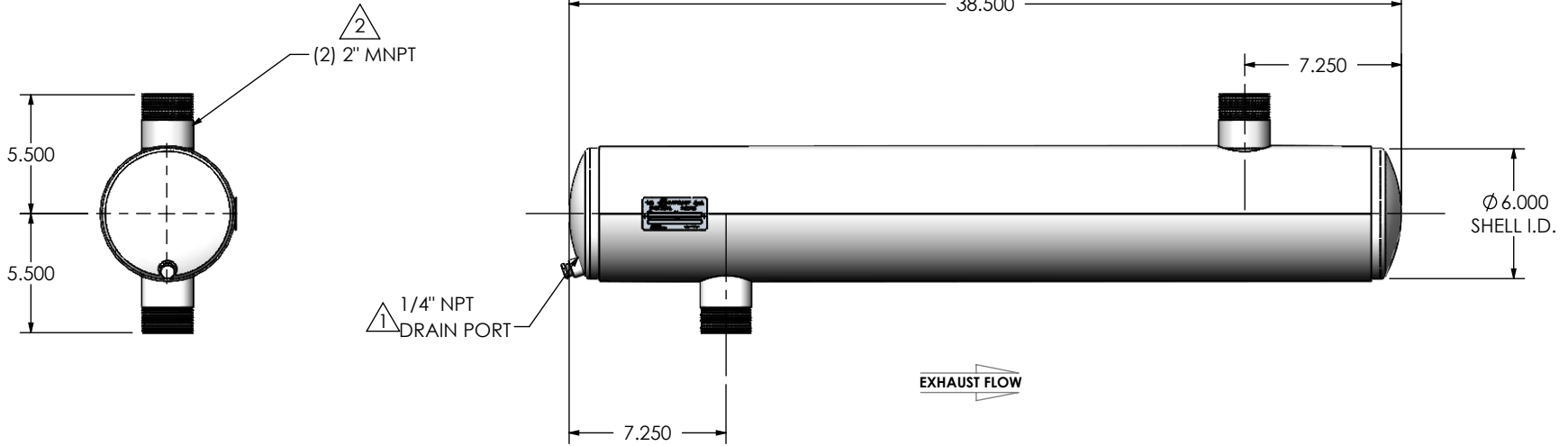
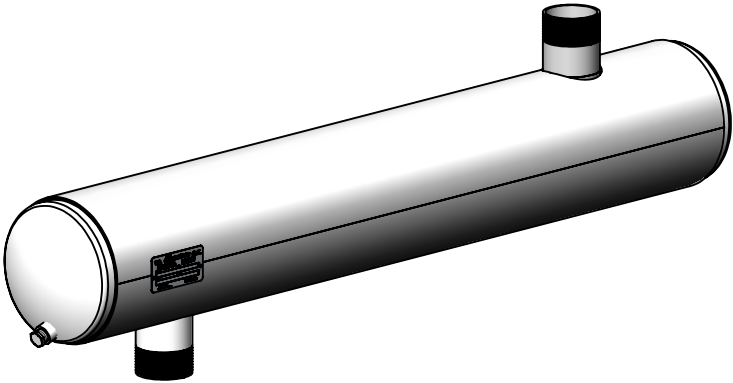


REVISIONS				
REV.	DESCRIPTION	DATE	SHEET(S)	DRAWN BY
0	ORIGINAL RELEASE	08/08/2016	-	JFS
1	UPDATE DRAIN PLUG DESCRIPTION	11/1/2017	-	CSF
2	UPDATED MNPT NOTATION	01/04/2018	-	JFH



- NOTES:**
- DO NOT USE EQUIPMENT TO SUPPORT OTHER PARTS OF THE EXHAUST SYSTEM WITHOUT PROPER REINFORCEMENT

MATERIAL CONSTRUCTION:

- 304 STAINLESS STEEL

PAINT:

- NONE

PROJECT NAME	<p>PROPRIETARY AND CONFIDENTIAL</p> <p>THE INFORMATION CONTAINED IN THIS DRAWING IS THE SOLE PROPERTY OF MIRATECH GROUP, LLC. ANY REPRODUCTION IN PART OR AS A WHOLE WITHOUT THE WRITTEN PERMISSION OF MIRATECH GROUP, LLC IS PROHIBITED.</p>	DIMENSIONS ARE IN INCHES UNLESS OTHERWISE SPECIFIED			<p>JCGA0-02MN-3-00001R2V</p> <p>Sales Drawing</p>
PROPOSAL NUMBER		<small>DIMENSIONAL TOLERANCES UNLESS OTHERWISE SPECIFIED</small> <small>ANGLES:</small> <small>MACH: ±1°</small> <small>INCHES: ±0.125</small> <small>BEND: ±3°</small> <small>MILLIMETERS: ±2</small>			
SALES ORDER NO.		DO NOT SCALE DRAWING		DRAWING	
CUSTOMER P.O.		<small>DRAWN</small> JFS <small>DATE</small> 08/08/2016	<small>REVIEWED BY</small> EQJ <small>DATE</small> 08/19/2016		
		<small>SIZE</small> A	<small>SCALE</small> 1:8	<small>WEIGHT</small> 33 lb	<small>SHEET</small> 1 OF 1