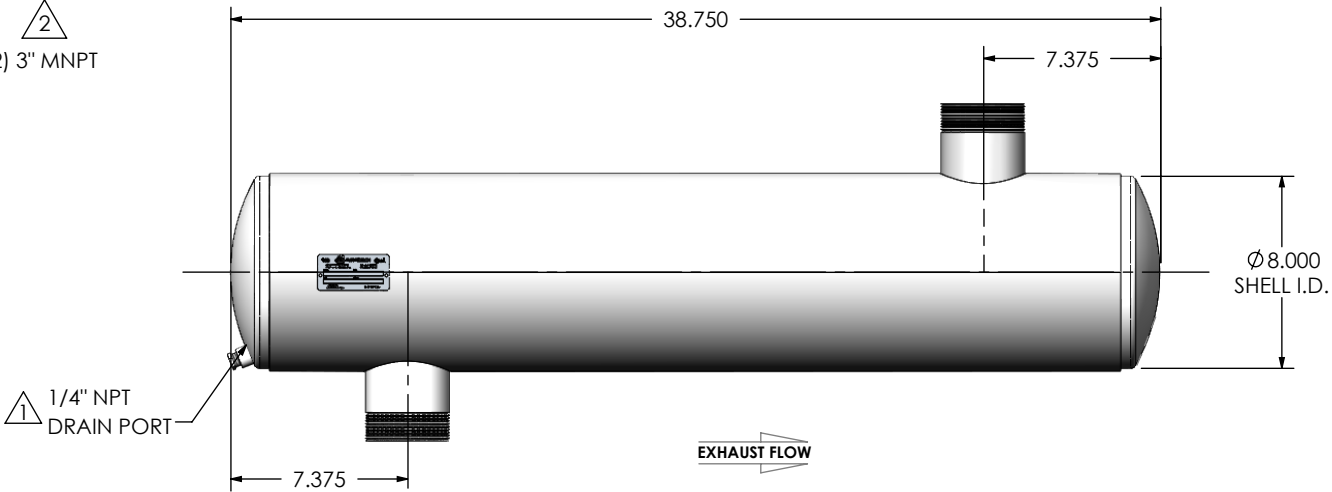
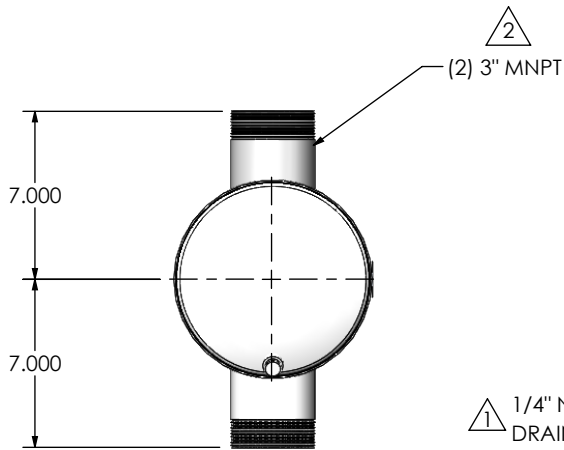
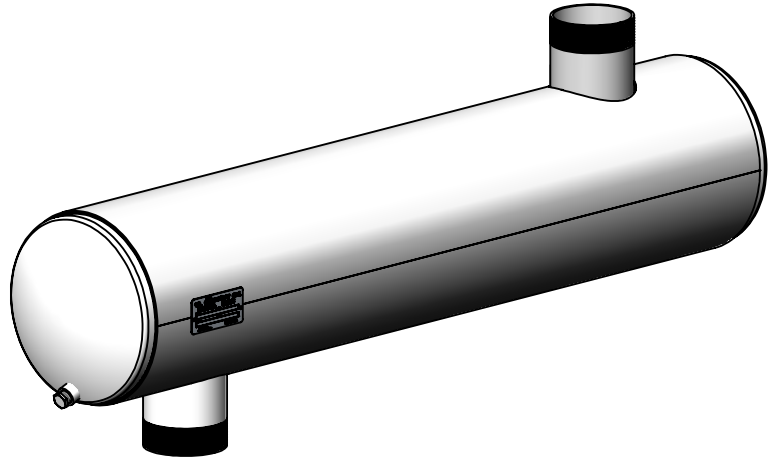


REVISIONS				
REV.	DESCRIPTION	DATE	SHEET(S)	DRAWN BY
0	ORIGINAL RELEASE	08/08/2016	-	JFS
1	UPDATE DRAIN PLUG DESCRIPTION	11/1/2017	-	CSF
2	UPDATED MNPT NOTATION	01/04/2018	-	JFH



NOTES:



- DO NOT USE EQUIPMENT TO SUPPORT OTHER PARTS OF THE EXHAUST SYSTEM WITHOUT PROPER REINFORCEMENT

MATERIAL CONSTRUCTION:

- CARBON STEEL

PAINT:

- HIGH TEMPERATURE BLACK (MIRATECH COATING SYSTEM 5)

PROJECT NAME	PROPRIETARY AND CONFIDENTIAL THE INFORMATION CONTAINED IN THIS DRAWING IS THE SOLE PROPERTY OF MIRATECH GROUP, LLC. ANY REPRODUCTION IN PART OR AS A WHOLE WITHOUT THE WRITTEN PERMISSION OF MIRATECH GROUP, LLC IS PROHIBITED.	DIMENSIONS ARE IN INCHES UNLESS OTHERWISE SPECIFIED <small> DIMENSIONAL TOLERANCES UNLESS OTHERWISE SPECIFIED ANGLES: MACH: ±1° INCHES: ±0.125 BEND: ±3° MILLIMETERS: ±2 </small>		 		
PROPOSAL NUMBER		DO NOT SCALE DRAWING		JCGA0-03MN-2-00001RX5 Sales Drawing		
SALES ORDER NO.		DRAWN	DATE	DRAWING		REV
CUSTOMER P.O.		JFS	08/08/2016	JCGA0-03MN-2-00001RX5 SD_2		2
	REVIEWED BY	DATE	SIZE	SCALE	WEIGHT	SHEET
	EQJ	08/19/2016	A	1:8	46 lb	1 OF 1