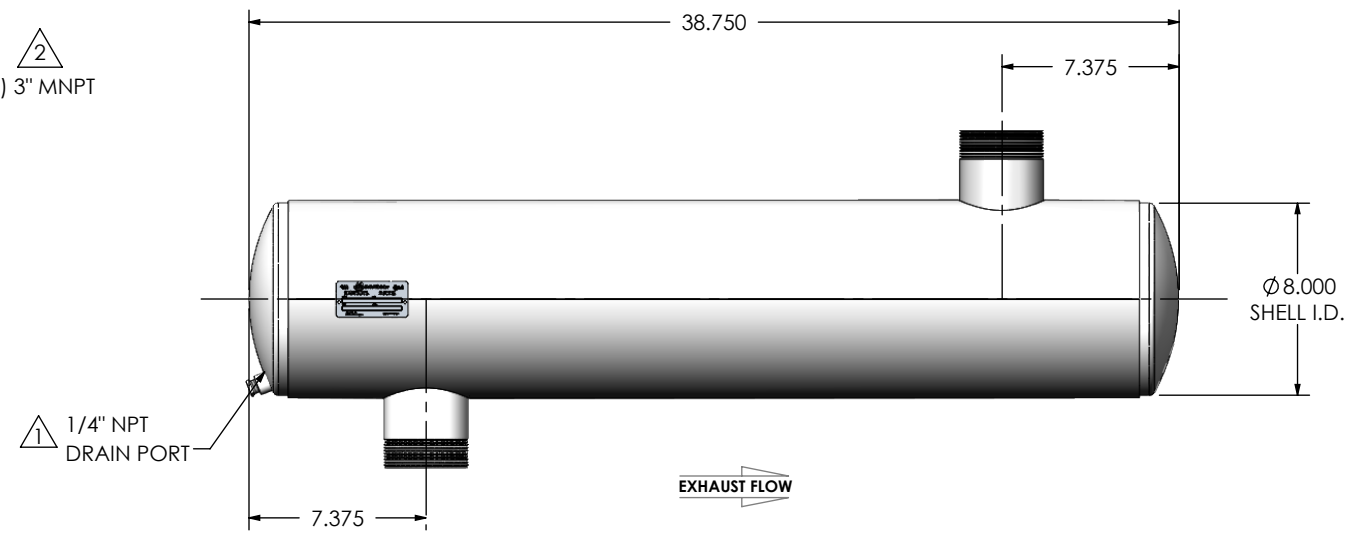
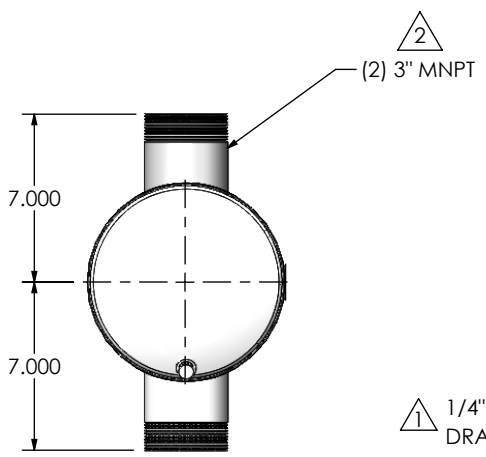
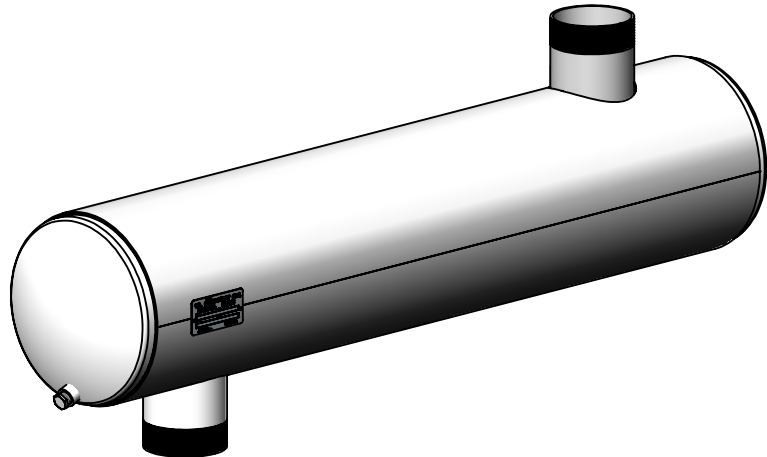


REVISIONS				
REV.	DESCRIPTION	DATE	SHEET(S)	DRAWN BY
0	ORIGINAL RELEASE	08/08/2016	-	JFS
1	UPDATE DRAIN PLUG DESCRIPTION	11/1/2017	-	CSF
2	UPDATED MNPT NOTATION	01/04/2018	-	JFH



NOTES:

- DO NOT USE EQUIPMENT TO SUPPORT OTHER PARTS OF THE EXHAUST SYSTEM WITHOUT PROPER REINFORCEMENT

MATERIAL CONSTRUCTION:

- 304 STAINLESS STEEL

PAINT:

- NONE

PROJECT NAME	PROPRIETARY AND CONFIDENTIAL THE INFORMATION CONTAINED IN THIS DRAWING IS THE SOLE PROPERTY OF MIRATECH GROUP, LLC. ANY REPRODUCTION IN PART OR AS A WHOLE WITHOUT THE WRITTEN PERMISSION OF MIRATECH GROUP, LLC IS PROHIBITED.	DIMENSIONS ARE IN INCHES UNLESS OTHERWISE SPECIFIED					
PROPOSAL NUMBER		<small>DIMENSIONAL TOLERANCES UNLESS OTHERWISE SPECIFIED</small> ANGLES: MACH: ±1° INCHES: ±0.125 BEND: ±3° MILLIMETERS: ±2		JCGA0-03MN-3-00001RX5 Sales Drawing			
SALES ORDER NO.		DO NOT SCALE DRAWING					
CUSTOMER P.O.		DRAWN: JFS	DATE: 08/08/2016	DRAWING: JCGA0-03MN-3-00001RX5 SD		REV: 2	
		REVIEWED BY: EQJ	DATE: 08/19/2016	SIZE: A	SCALE: 1:8	WEIGHT: 47 lb	SHEET 1 OF 1