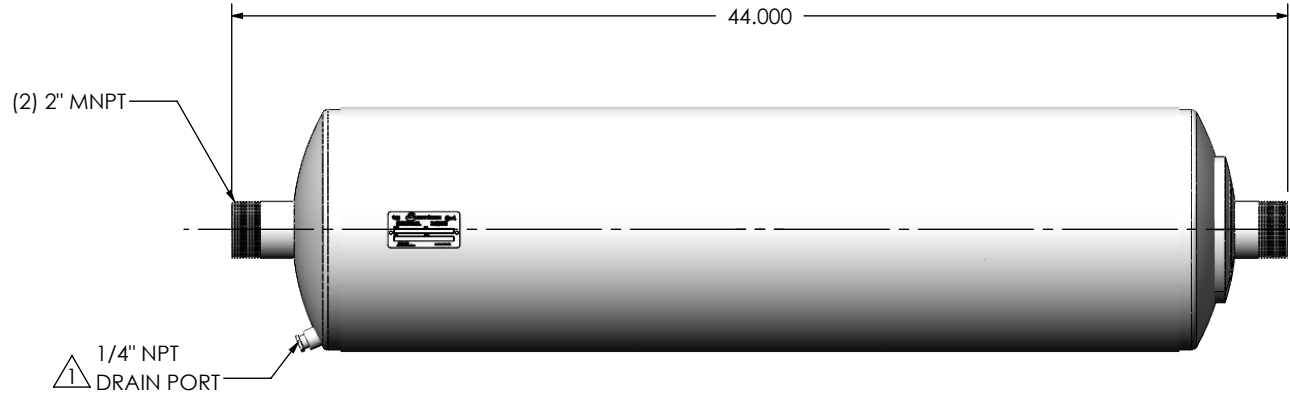
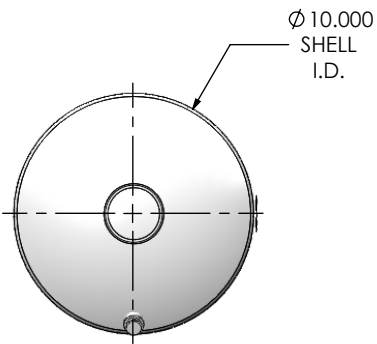
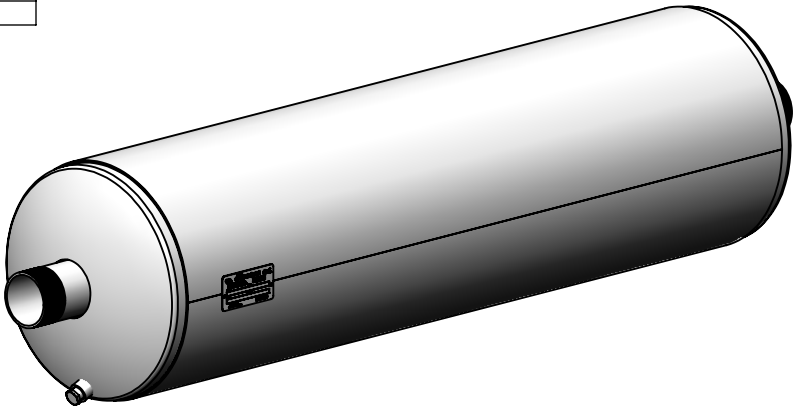


REVISIONS				
REV.	DESCRIPTION	DATE	SHEET(S)	DRAWN BY
0	RELEASED FOR CUSTOMER APPROVAL	11/2/2016	-	FES
1	UPDATED DRAIN PLUG DESCRIPTION	11/3/2017	1	SSC





- NOTES:**
- DO NOT USE EQUIPMENT TO SUPPORT OTHER PARTS OF THE EXHAUST SYSTEM WITHOUT PROPER REINFORCEMENT

**MATERIAL CONSTRUCTION:**

- 304 STAINLESS STEEL

**PAINT:**

- NONE

PROJECT NAME	<b>PROPRIETARY AND CONFIDENTIAL</b>  THE INFORMATION CONTAINED IN THIS DRAWING IS THE SOLE PROPERTY OF MIRATECH GROUP, LLC. ANY REPRODUCTION IN PART OR AS A WHOLE WITHOUT THE WRITTEN PERMISSION OF MIRATECH GROUP, LLC IS PROHIBITED.	DIMENSIONS ARE IN INCHES UNLESS OTHERWISE SPECIFIED <small>           DIMENSIONAL TOLERANCES UNLESS OTHERWISE SPECIFIED            ANGLES: MACH: ±1° INCHES: ±0.125            BEND: ±3° MILLIMETERS: ±2         </small>		 			
PROPOSAL NUMBER		DO NOT SCALE DRAWING		<b>JHEE0-02MN-3-00000000</b> <b>Sales Drawing</b>			
SALES ORDER NO.		DRAWN	DATE	DRAWING		REV	
CUSTOMER P.O.		FES	11/2/2016	JHEE0-02MN-3-00000000 SD		1	
		REVIEWED BY	DATE	SIZE	SCALE 1:8	WEIGHT: 0 lb	SHEET 1 OF 1
		AJM	11/4/2016	A			