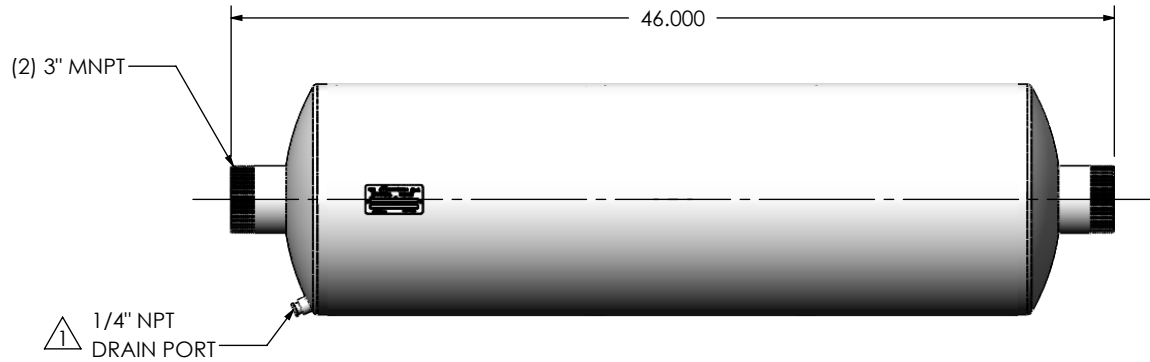
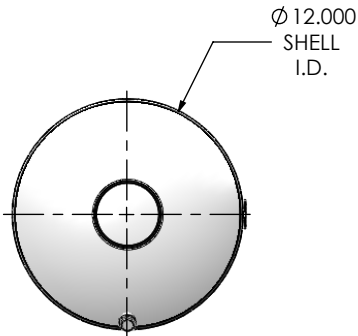
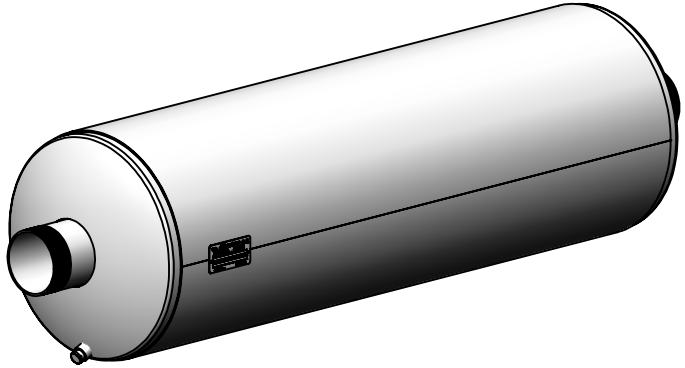


REVISIONS				
REV.	DESCRIPTION	DATE	SHEET(S)	DRAWN BY
0	RELEASED FOR CUSTOMER APPROVAL	11/2/2016	-	FES
1	UPDATED DRAIN PLUG DESCRIPTION	11/3/2017	1	SSC



EXHAUST FLOW

NOTES:



- DO NOT USE EQUIPMENT TO SUPPORT OTHER PARTS OF THE EXHAUST SYSTEM WITHOUT PROPER REINFORCEMENT

MATERIAL CONSTRUCTION:

- CARBON STEEL

PAINT:

- HIGH TEMPERATURE BLACK (MIRATECH COATING SYSTEM 5)

PROJECT NAME	PROPRIETARY AND CONFIDENTIAL THE INFORMATION CONTAINED IN THIS DRAWING IS THE SOLE PROPERTY OF MIRATECH GROUP, LLC. ANY REPRODUCTION IN PART OR AS A WHOLE WITHOUT THE WRITTEN PERMISSION OF MIRATECH GROUP, LLC IS PROHIBITED.	DIMENSIONS ARE IN INCHES UNLESS OTHERWISE SPECIFIED <small> DIMENSIONAL TOLERANCES UNLESS OTHERWISE SPECIFIED ANGLES: MACH: ±1° BEND: ±3° INCHES: ±0.125 MILLIMETERS: ±2 </small>		 	
PROPOSAL NUMBER		DO NOT SCALE DRAWING		JHEE0-03MN-2-00000000 Sales Drawing	
SALES ORDER NO.		DRAWN	DATE	DRAWING	
CUSTOMER P.O.		FES	11/2/2016	JHEE0-03MN-2-00000000 SD	
	REVIEWED BY	DATE	SIZE	SCALE	WEIGHT
	AJM	11/4/2016	A	1:10	77 lb
					REV 1
					SHEET 1 OF 1