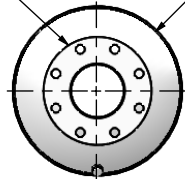
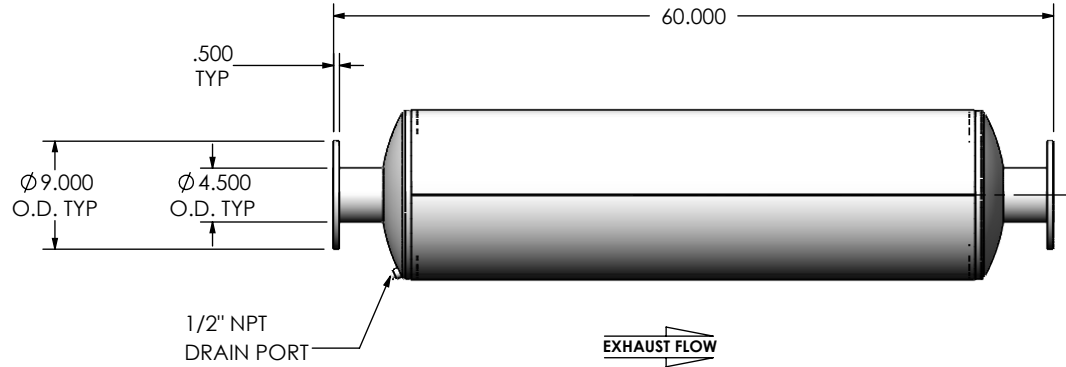


(2) 4" FF FLANGE
150 lb ANSI
STANDARD
BOLT PATTERN



Ø 14.000
SHELL
I.D.



1/2" NPT
DRAIN PORT

EXHAUST FLOW

NOTES:



- DO NOT USE EQUIPMENT TO SUPPORT OTHER PARTS OF THE EXHAUST SYSTEM WITHOUT PROPER REINFORCEMENT

MATERIAL CONSTRUCTION:

- 304 STAINLESS STEEL

PAINT:

- NONE

PROJECT NAME	<p>PROPRIETARY AND CONFIDENTIAL</p> <p>THE INFORMATION CONTAINED IN THIS DRAWING IS THE SOLE PROPERTY OF MIRATECH GROUP, LLC. ANY REPRODUCTION IN PART OR AS A WHOLE WITHOUT THE WRITTEN PERMISSION OF MIRATECH GROUP, LLC IS PROHIBITED.</p>	<p>DIMENSIONS ARE IN INCHES UNLESS OTHERWISE SPECIFIED</p>		 	
PROPOSAL NUMBER		<p>ANGLES:</p> <p>MACH: ±1° INCHES: ±0.125 BEND: ±3° MILLIMETERS: ±2</p>		<p>JHEE0-04PF-3-00000000 Sales Drawing</p>	
SALES ORDER NO.		<p>DO NOT SCALE DRAWING</p>			
CUSTOMER P.O.		<p>DRAWN: FES</p> <p>REVIEWED BY: AJM</p>	<p>DATE: 10/26/2016</p> <p>DATE: 10/31/2016</p>	<p>DRAWING: JHEE0-04PF-3-00000000 SD</p> <p>SCALE 1:16</p> <p>WEIGHT: 121 lb</p>	<p>REV 0</p> <p>SHEET 1 OF 1</p>