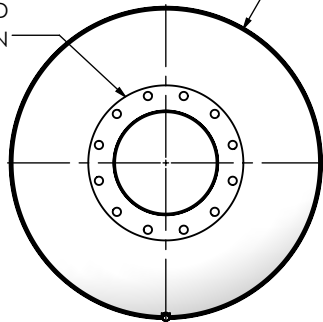


(2) 14" FF FLANGE  
150 lb ANSI  
STANDARD  
BOLT PATTERN



Ø 42.000  
SHELL  
I.D.

.500  
TYP

Ø 21.000  
O.D. TYP

Ø 14.000  
O.D. TYP

138.000

1/2" NPT  
DRAIN PORT

EXHAUST FLOW

**NOTES:**

- DO NOT USE EQUIPMENT TO SUPPORT OTHER PARTS OF THE EXHAUST SYSTEM WITHOUT PROPER REINFORCEMENT

**MATERIAL CONSTRUCTION:**

- CARBON STEEL

**PAINT:**

- HIGH TEMPERATURE BLACK (MIRATECH COATING SYSTEM 5)

PROJECT NAME	
PROPOSAL NUMBER	
SALES ORDER NO.	
CUSTOMER P.O.	



**PROPRIETARY AND CONFIDENTIAL**

THE INFORMATION CONTAINED IN THIS DRAWING IS THE SOLE PROPERTY OF MIRATECH GROUP, LLC. ANY REPRODUCTION IN PART OR AS A WHOLE WITHOUT THE WRITTEN PERMISSION OF MIRATECH GROUP, LLC IS PROHIBITED.

DIMENSIONS ARE IN INCHES UNLESS OTHERWISE SPECIFIED

DIMENSIONAL TOLERANCES UNLESS OTHERWISE SPECIFIED	
ANGLES	
MACH: ±1°	INCHES: ±0.125
BEND: ±3°	MILLIMETERS: ±2

DO NOT SCALE DRAWING	
DRAWN	DATE
FES	10/26/2016
REVIEWED BY	DATE
AJM	10/31/2016

			
<b>JHEE0-14PF-2-00000000</b> <b>Sales Drawing</b>			
DRAWING		REV	
JHEE0-14PF-2-00000000 SD		0	
SIZE	SCALE 1:26	WEIGHT: 1160 lb	SHEET 1 OF 1
A			