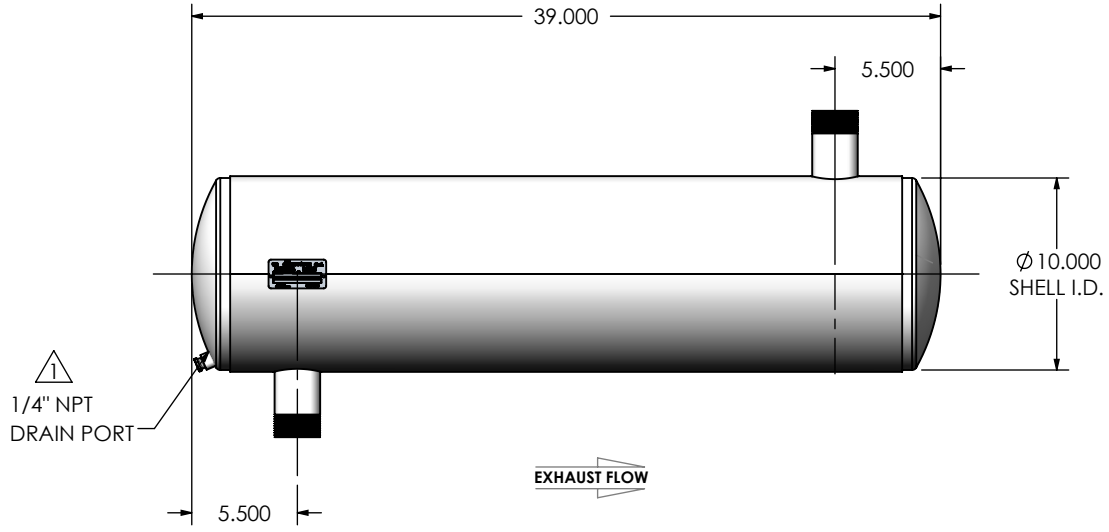
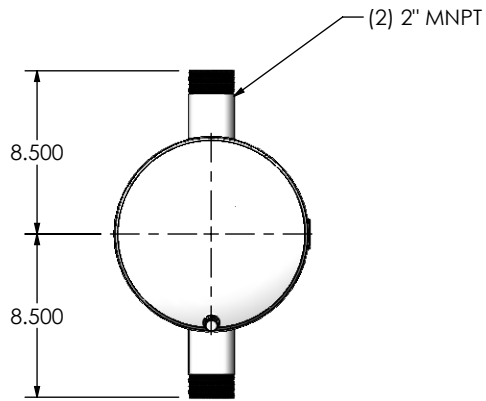
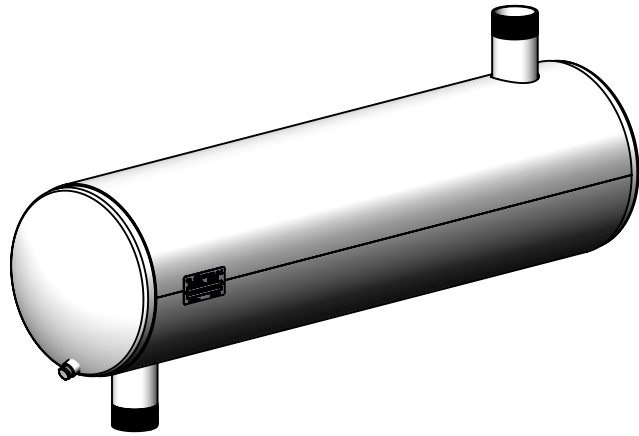


REVISIONS				
REV.	DESCRIPTION	DATE	SHEET(S)	DRAWN BY
0	ORIGINAL RELEASE	11/02/2016	-	FES
1	UPDATE DRAIN PLUG DESCRIPTION	11/6/2017	-	CSF



NOTES:

- DO NOT USE EQUIPMENT TO SUPPORT OTHER PARTS OF THE EXHAUST SYSTEM WITHOUT PROPER REINFORCEMENT

MATERIAL CONSTRUCTION:

- ALUMINIZED STEEL



PAINT:

- HIGH TEMPERATURE BLACK (MIRATECH COATING SYSTEM 5)

PROJECT NAME	PROPRIETARY AND CONFIDENTIAL THE INFORMATION CONTAINED IN THIS DRAWING IS THE SOLE PROPERTY OF MIRATECH GROUP, LLC. ANY REPRODUCTION IN PART OR AS A WHOLE WITHOUT THE WRITTEN PERMISSION OF MIRATECH GROUP, LLC IS PROHIBITED.
PROPOSAL NUMBER	
SALES ORDER NO.	
CUSTOMER P.O.	

DIMENSIONS ARE IN INCHES UNLESS OTHERWISE SPECIFIED	
<small>DIMENSIONAL TOLERANCES UNLESS OTHERWISE SPECIFIED</small> ANGLES: MACH: ±1° INCHES: ±0.125 BEND: BEND: ±3° MILLIMETERS: ±2	
DO NOT SCALE DRAWING	
DRAWN	DATE
FES	11/2/2016
REVIEWED BY	DATE
AJM	11/4/2016

DRAWING	
JHGA0-02MN-1-00001B0Q SD	
REV	0

		
JHGA0-02MN-1-00001B0Q Sales Drawing		
SIZE	SCALE 1:10	WEIGHT: 51 lb
SHEET	1 OF 1	