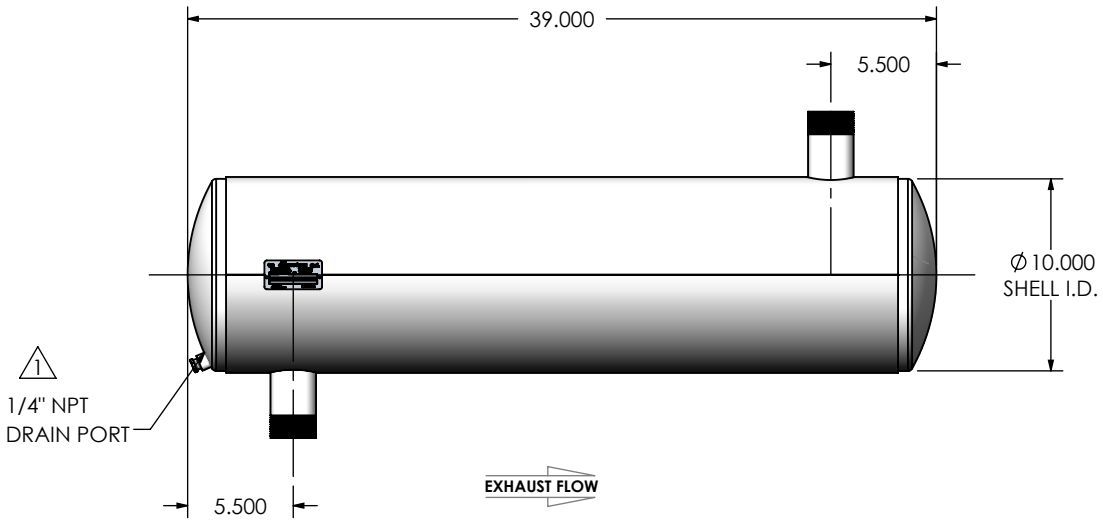
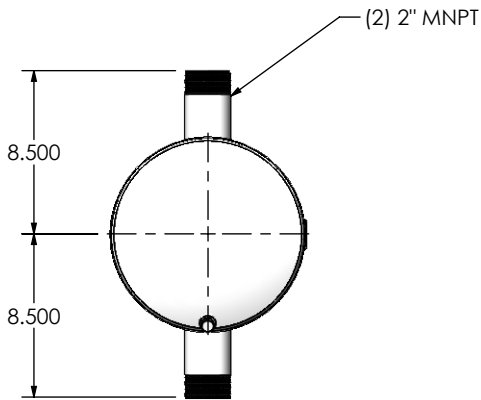
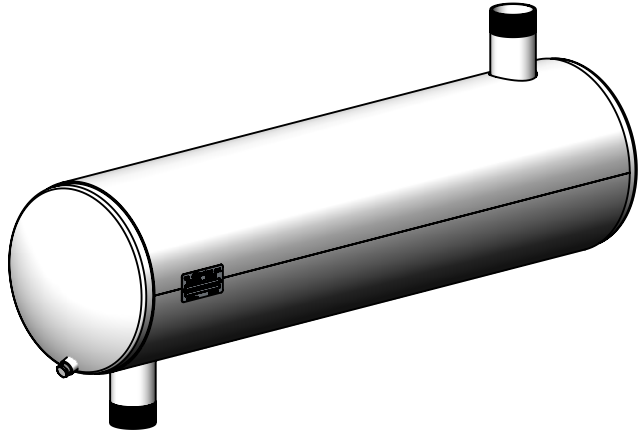


REVISIONS				
REV.	DESCRIPTION	DATE	SHEET(S)	DRAWN BY
0	ORIGINAL RELEASE	11/02/2016	-	FES
1	UPDATE DRAIN PLUG DESCRIPTION	11/6/2017	-	CSF



NOTES:

- DO NOT USE EQUIPMENT TO SUPPORT OTHER PARTS OF THE EXHAUST SYSTEM WITHOUT PROPER REINFORCEMENT

MATERIAL CONSTRUCTION:

- 304 STAINLESS STEEL

PAINT:

- NONE

PROJECT NAME	<p>PROPRIETARY AND CONFIDENTIAL</p> <p>THE INFORMATION CONTAINED IN THIS DRAWING IS THE SOLE PROPERTY OF MIRATECH GROUP, LLC. ANY REPRODUCTION IN PART OR AS A WHOLE WITHOUT THE WRITTEN PERMISSION OF MIRATECH GROUP, LLC IS PROHIBITED.</p>	DIMENSIONS ARE IN INCHES UNLESS OTHERWISE SPECIFIED <small>ANGLES: ±1° INCHES: ±0.125 MILLIMETERS: ±2</small>			<p>JHGA0-02MN-3-00001B0Q</p> <p>Sales Drawing</p>	
PROPOSAL NUMBER		<small>MACH: ±1° BEND: ±3°</small>				
SALES ORDER NO.		DO NOT SCALE DRAWING		DRAWING JHGA0-02MN-3-00001B0Q SD	REV 1	
CUSTOMER P.O.		DRAWN FES 11/2/2016	DATE 11/4/2016			SIZE A