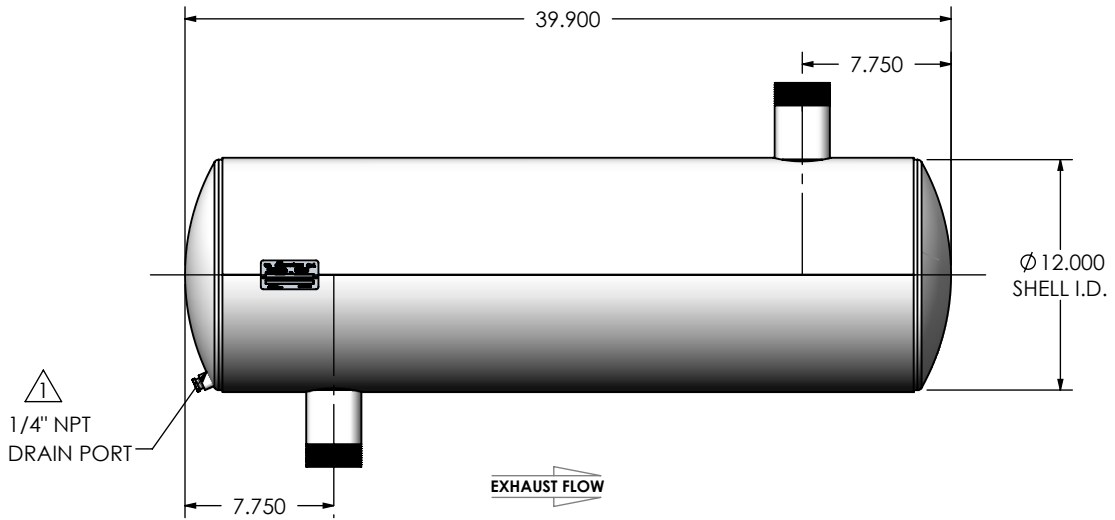
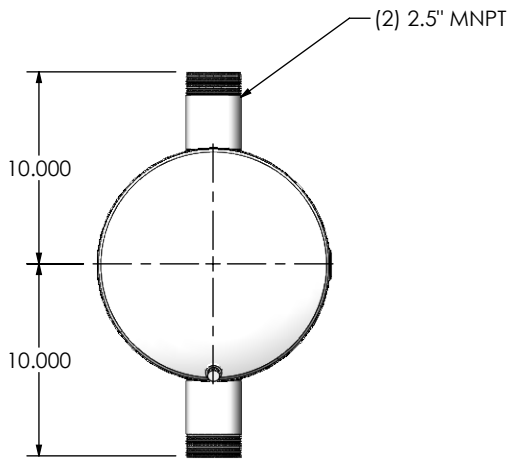
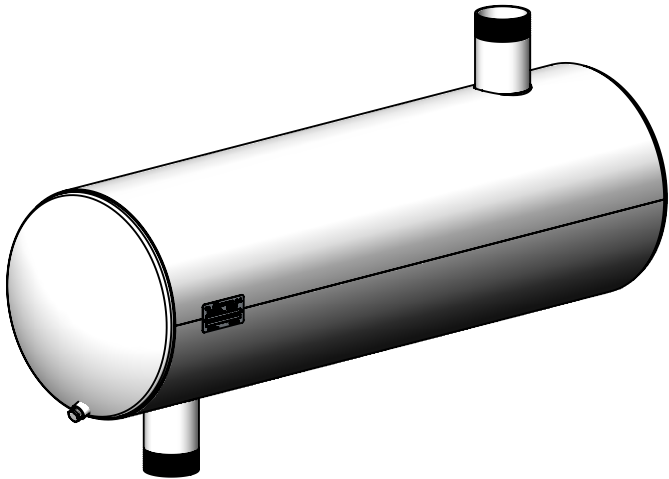


REVISIONS				
REV.	DESCRIPTION	DATE	SHEET(S)	DRAWN BY
0	ORIGINAL RELEASE	11/02/2016	-	FES
1	UPDATE DRAIN PLUG DESCRIPTION	11/6/2017	-	CSF



NOTES:

- DO NOT USE EQUIPMENT TO SUPPORT OTHER PARTS OF THE EXHAUST SYSTEM WITHOUT PROPER REINFORCEMENT

MATERIAL CONSTRUCTION:

- 304 STAINLESS STEEL

PAINT:

- NONE

PROJECT NAME	PROPRIETARY AND CONFIDENTIAL THE INFORMATION CONTAINED IN THIS DRAWING IS THE SOLE PROPERTY OF MIRATECH GROUP, LLC. ANY REPRODUCTION IN PART OR AS A WHOLE WITHOUT THE WRITTEN PERMISSION OF MIRATECH GROUP, LLC IS PROHIBITED.	DIMENSIONS ARE IN INCHES UNLESS OTHERWISE SPECIFIED			JHGA0-25MN-3-00001V9A Sales Drawing	
PROPOSAL NUMBER		<small>DIMENSIONAL TOLERANCES UNLESS OTHERWISE SPECIFIED</small> <small>ANGLES:</small> MACH: ±1° INCHES: ±0.125 BEND: ±3° MILLIMETERS: ±2				
SALES ORDER NO.		DO NOT SCALE DRAWING		DRAWING		REV
CUSTOMER P.O.		DRAWN: FES DATE: 11/2/2016 REVIEWED BY: AJM DATE: 11/4/2016	JHGA0-25MN-3-00001V9A SD SCALE 1:10 WEIGHT: 65 lb	1		SHEET 1 OF 1