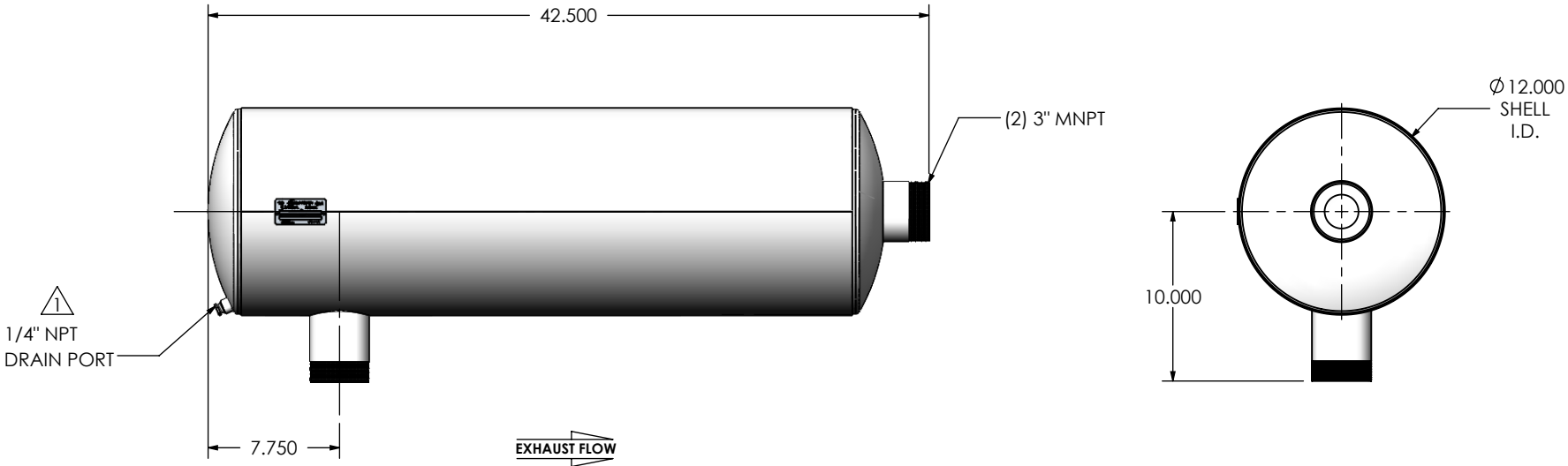
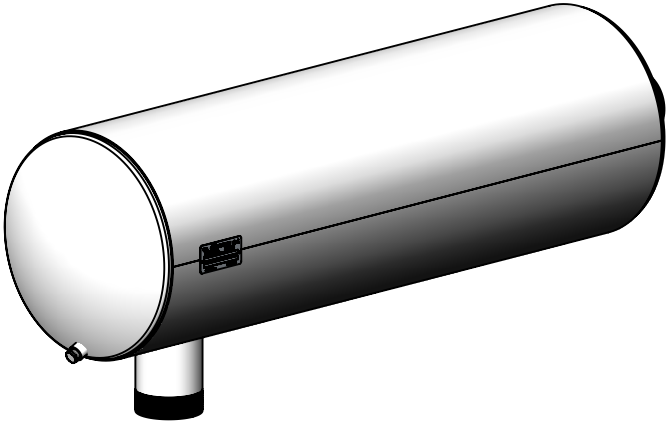


| REVISIONS | | | | |
|-----------|-------------------------------|------------|----------|----------|
| REV. | DESCRIPTION | DATE | SHEET(S) | DRAWN BY |
| 0 | ORIGINAL RELEASE | 11/02/2016 | - | FES |
| 1 | UPDATE DRAIN PLUG DESCRIPTION | 11/6/2017 | - | CSF |



NOTES:

- DO NOT USE EQUIPMENT TO SUPPORT OTHER PARTS OF THE EXHAUST SYSTEM WITHOUT PROPER REINFORCEMENT

MATERIAL CONSTRUCTION:

- CARBON STEEL

PAINT:

- HIGH TEMPERATURE BLACK (MIRATECH COATING SYSTEM 5)

| | |
|-----------------|--|
| PROJECT NAME | <p>PROPRIETARY AND CONFIDENTIAL</p> <p>THE INFORMATION CONTAINED IN THIS DRAWING IS THE SOLE PROPERTY OF MIRATECH GROUP, LLC. ANY REPRODUCTION IN PART OR AS A WHOLE WITHOUT THE WRITTEN PERMISSION OF MIRATECH GROUP, LLC IS PROHIBITED.</p> |
| PROPOSAL NUMBER | |
| SALES ORDER NO. | |
| CUSTOMER P.O. | |

| | |
|--|-----------|
| <p>DIMENSIONS ARE IN INCHES UNLESS OTHERWISE SPECIFIED</p> <p>ANGLES: MACH: ±1° INCHES: ±0.125 BEND: ±3° MILLIMETERS: ±2</p> | |
| DO NOT SCALE DRAWING | |
| DRAWN | DATE |
| FES | 11/2/2016 |
| REVIEWED BY | DATE |
| AJM | 11/4/2016 |



JHGE0-03MN-2-00000028
Sales Drawing

| | | | | | |
|---------|-------|--------------------------|--------------|-----|---|
| DRAWING | | JHGE0-03MN-2-00000028 SD | | REV | 1 |
| SIZE | SCALE | WEIGHT | SHEET 1 OF 1 | | |
| A | 1:10 | 77 lb | | | |