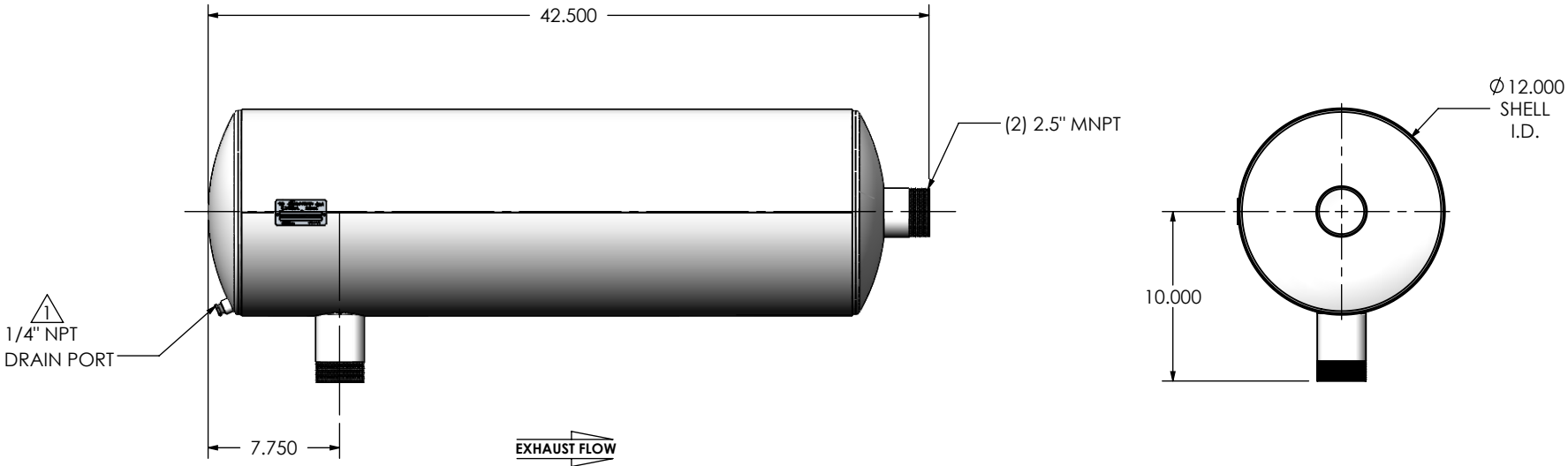
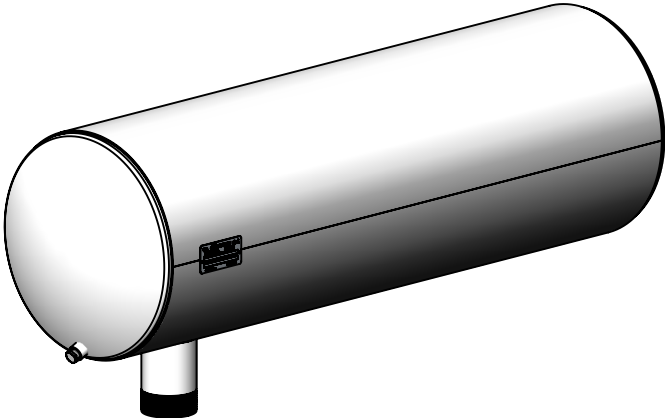


REVISIONS				
REV.	DESCRIPTION	DATE	SHEET(S)	DRAWN BY
0	ORIGINAL RELEASE	11/02/2016	-	FES
1	UPDATE DRAIN PLUG DESCRIPTION	11/6/2017	-	CSF



- NOTES:**
- DO NOT USE EQUIPMENT TO SUPPORT OTHER PARTS OF THE EXHAUST SYSTEM WITHOUT PROPER REINFORCEMENT

- MATERIAL CONSTRUCTION:**
- 304 STAINLESS STEEL
- PAINT:**
- NONE

PROJECT NAME	<b>PROPRIETARY AND CONFIDENTIAL</b> THE INFORMATION CONTAINED IN THIS DRAWING IS THE SOLE PROPERTY OF MIRATECH GROUP, LLC. ANY REPRODUCTION IN PART OR AS A WHOLE WITHOUT THE WRITTEN PERMISSION OF MIRATECH GROUP, LLC IS PROHIBITED.
PROPOSAL NUMBER	
SALES ORDER NO.	
CUSTOMER P.O.	

DIMENSIONS ARE IN INCHES UNLESS OTHERWISE SPECIFIED	
<small>DIMENSIONAL TOLERANCES UNLESS OTHERWISE SPECIFIED</small> ANGLES: MACH: ±1° BEND: ±3°	<small>DIMENSIONAL TOLERANCES UNLESS OTHERWISE SPECIFIED</small> INCHES: ±0.125 MILLIMETERS: ±2
DO NOT SCALE DRAWING	
DRAWN	DATE
FES	11/2/2016
REVIEWED BY	DATE
AJM	11/4/2016



**JHGE0-25MN-3-00000028**  
Sales Drawing

DRAWING		JHGE0-25MN-3-00000028 SD		REV	1
SIZE	SCALE 1:10	WEIGHT: 0 lb	SHEET 1 OF 1		