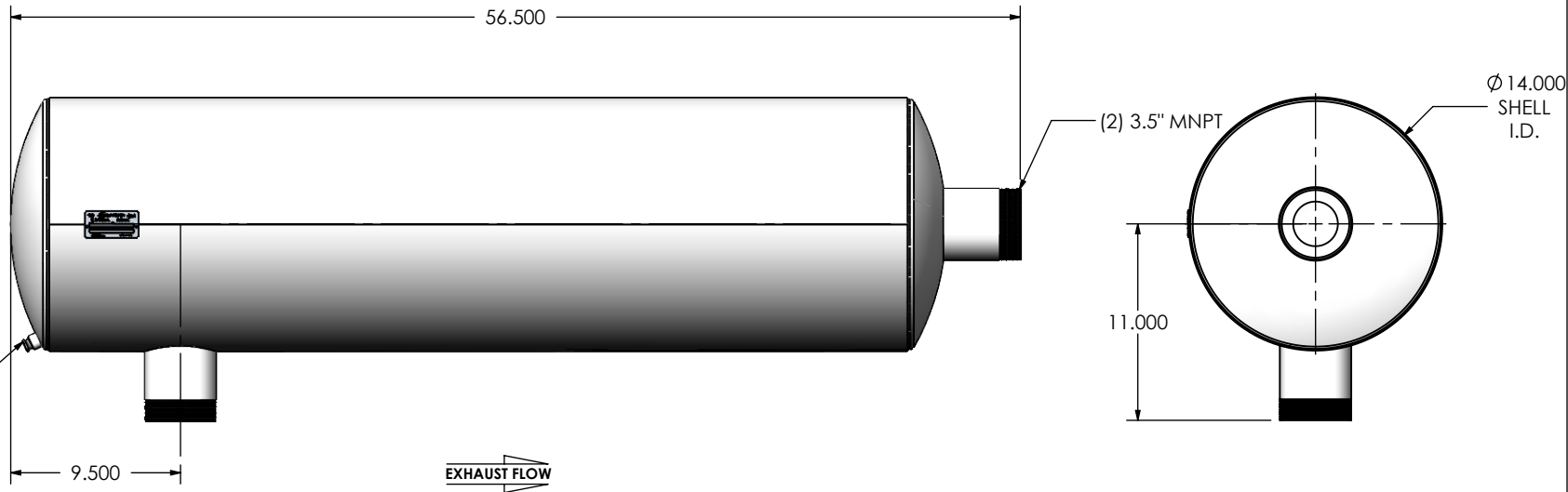
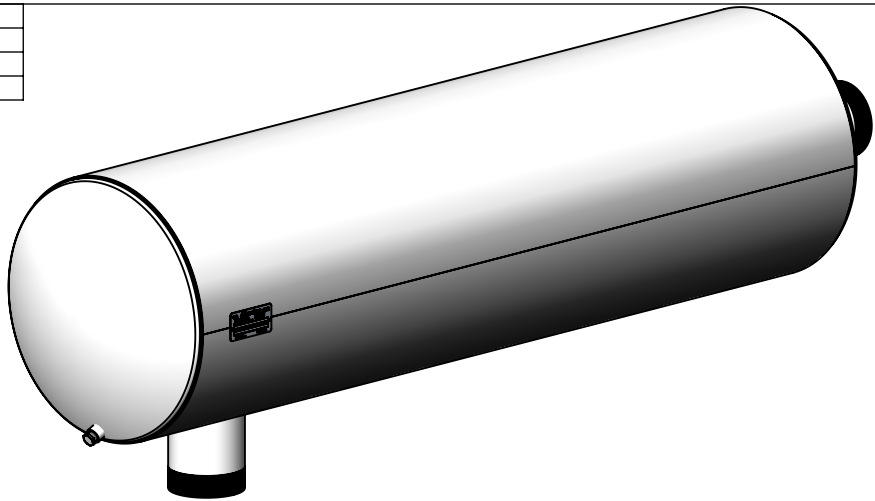


REVISIONS				
REV.	DESCRIPTION	DATE	SHEET(S)	DRAWN BY
0	ORIGINAL RELEASE	11/02/2016	-	FES
1	UPDATE DRAIN PLUG DESCRIPTION	11/6/2017	-	CSF



**NOTES:**

- DO NOT USE EQUIPMENT TO SUPPORT OTHER PARTS OF THE EXHAUST SYSTEM WITHOUT PROPER REINFORCEMENT

**MATERIAL CONSTRUCTION:**

- CARBON STEEL

**PAINT:**

- HIGH TEMPERATURE BLACK (MIRATECH COATING SYSTEM 5)

PROJECT NAME	<b>PROPRIETARY AND CONFIDENTIAL</b> THE INFORMATION CONTAINED IN THIS DRAWING IS THE SOLE PROPERTY OF MIRATECH GROUP, LLC. ANY REPRODUCTION IN PART OR AS A WHOLE WITHOUT THE WRITTEN PERMISSION OF MIRATECH GROUP, LLC IS PROHIBITED.
PROPOSAL NUMBER	
SALES ORDER NO.	
CUSTOMER P.O.	

DIMENSIONS ARE IN INCHES UNLESS OTHERWISE SPECIFIED <small>           DIMENSIONAL TOLERANCES UNLESS OTHERWISE SPECIFIED            ANGLES:            MACH: ±1° INCHES: ±0.125            BEND: ±3° MILLIMETERS: ±2         </small>	
DO NOT SCALE DRAWING	
DRAWN	DATE
FES	11/2/2016
REVIEWED BY	DATE
AJM	11/4/2016



**JHGE0-35MN-2-000002Q**  
Sales Drawing

DRAWING		JHGE0-35MN-2-000002Q SD		REV	1
SIZE	SCALE 1:10	WEIGHT: 0 lb	SHEET 1 OF 1		