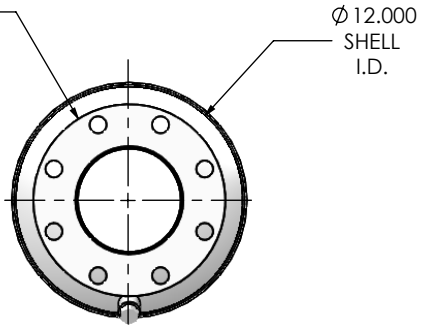
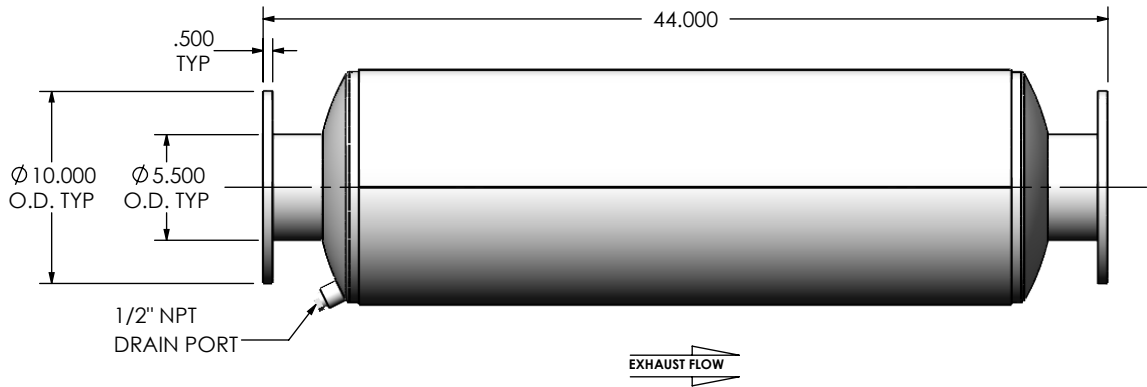


(2) 5" FF FLANGE
150 lb ANSI
STANDARD
BOLT PATTERN



Ø 12.000
SHELL
I.D.



NOTES:



- DO NOT USE EQUIPMENT TO SUPPORT OTHER PARTS OF THE EXHAUST SYSTEM WITHOUT PROPER REINFORCEMENT

MATERIAL CONSTRUCTION:

- 304 STAINLESS STEEL

PAINT:

- NONE

PROJECT NAME	<p>PROPRIETARY AND CONFIDENTIAL</p> <p>THE INFORMATION CONTAINED IN THIS DRAWING IS THE SOLE PROPERTY OF MIRATECH GROUP, LLC. ANY REPRODUCTION IN PART OR AS A WHOLE WITHOUT THE WRITTEN PERMISSION OF MIRATECH GROUP, LLC IS PROHIBITED.</p>	DIMENSIONS ARE IN INCHES UNLESS OTHERWISE SPECIFIED <small> DIMENSIONAL TOLERANCES UNLESS OTHERWISE SPECIFIED ANGLES: MACH: ±1° INCHES: ±0.125 BEND: ±3° MILLIMETERS: ±2 </small>		 			
PROPOSAL NUMBER		DO NOT SCALE DRAWING		JIEE0-05PF-3-00000000 Sales Drawing			
SALES ORDER NO.		DRAWN	DATE	DRAWING		REV	
CUSTOMER P.O.		JFS	08/08/2016	JIEE0-05PF-3-00000000 SD		0	
		REVIEWED BY	DATE	SIZE	SCALE 1:10	WEIGHT: 72 lb	SHEET 1 OF 1
		EQJ	08/19/2016	A			