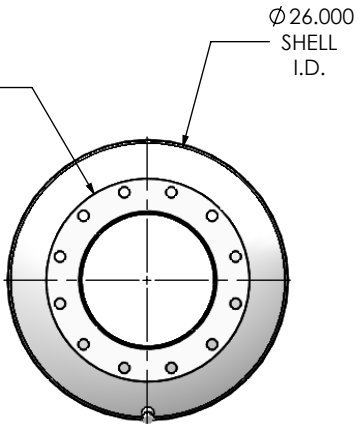
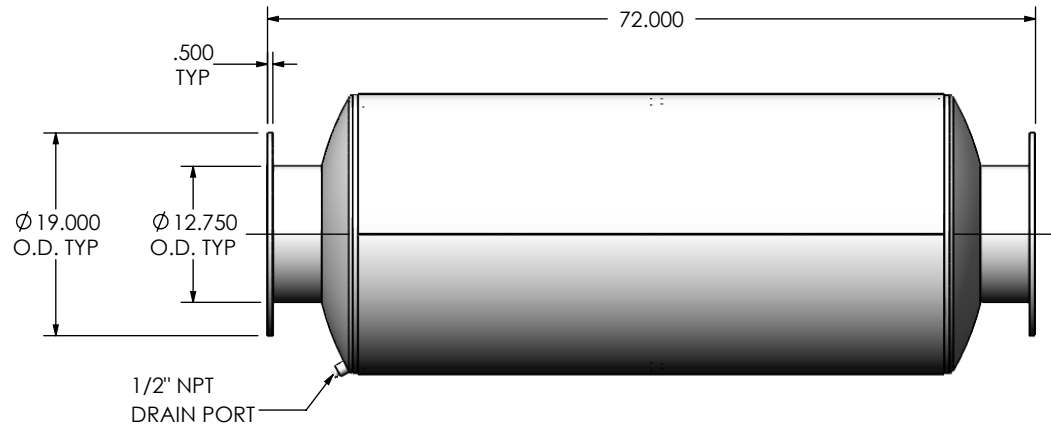


(2) 12" FF FLANGE
150 lb ANSI
STANDARD
BOLT PATTERN



Ø 26.000
SHELL
I.D.



EXHAUST FLOW →

NOTES:

- DO NOT USE EQUIPMENT TO SUPPORT OTHER PARTS OF THE EXHAUST SYSTEM WITHOUT PROPER REINFORCEMENT

MATERIAL CONSTRUCTION:

- ALUMINIZED STEEL

PAINT:

- HIGH TEMPERATURE BLACK (MIRATECH COATING SYSTEM 5)

PROJECT NAME	<p>PROPRIETARY AND CONFIDENTIAL</p> <p>THE INFORMATION CONTAINED IN THIS DRAWING IS THE SOLE PROPERTY OF MIRATECH GROUP, LLC. ANY REPRODUCTION IN PART OR AS A WHOLE WITHOUT THE WRITTEN PERMISSION OF MIRATECH GROUP, LLC IS PROHIBITED.</p>	DIMENSIONS ARE IN INCHES UNLESS OTHERWISE SPECIFIED			<p>JIEEO-12PF-1-00000000 Sales Drawing</p>	
PROPOSAL NUMBER		<small>DIMENSIONAL TOLERANCES UNLESS OTHERWISE SPECIFIED</small> ANGLES: MACH: ±1° INCHES: ±0.125 BEND: ±3° MILLIMETERS: ±2				
SALES ORDER NO.		DO NOT SCALE DRAWING		DRAWING		
CUSTOMER P.O.		DRAWN: JFS DATE: 08/08/2016 REVIEWED BY: EQJ DATE: 08/19/2016	JIEEO-12PF-1-00000000 SD		REV 0	
		SIZE A	SCALE 1:18	WEIGHT: 288 lb	SHEET 1 OF 1	