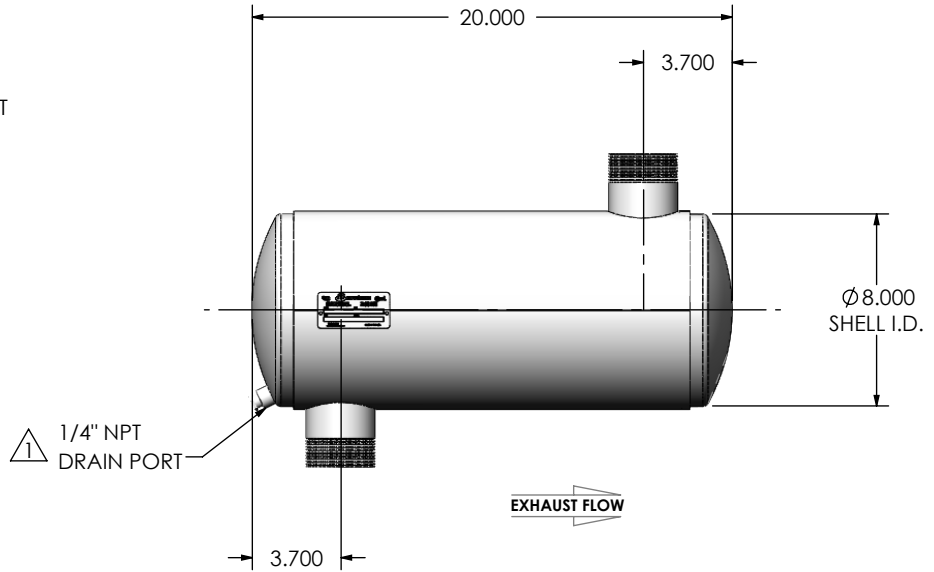
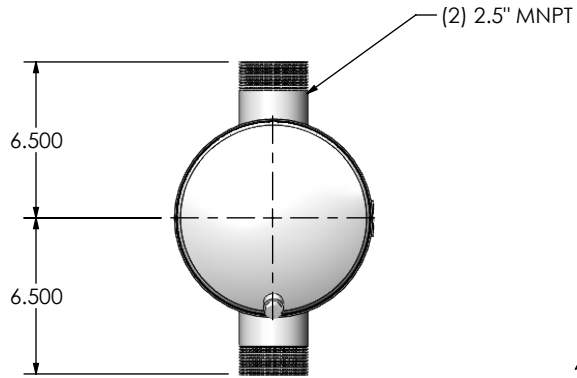
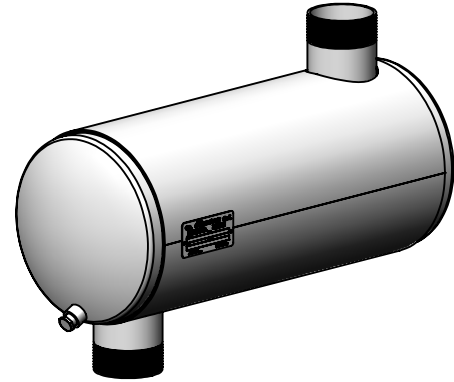


REVISIONS				
REV.	DESCRIPTION	DATE	SHEET(S)	DRAWN BY
0	RELEASED FOR CUSTOMER APPROVAL	8/8/2016	-	JFS
1	UPDATED DRAIN PLUG DESCRIPTION	11/1/2017	1	SSC



**NOTES:**

- DO NOT USE EQUIPMENT TO SUPPORT OTHER PARTS OF THE EXHAUST SYSTEM WITHOUT PROPER REINFORCEMENT

**MATERIAL CONSTRUCTION:**

- CARBON STEEL

**PAINT:**

- HIGH TEMPERATURE BLACK (MIRATECH COATING SYSTEM 5)

PROJECT NAME	<p><b>PROPRIETARY AND CONFIDENTIAL</b></p> <p>THE INFORMATION CONTAINED IN THIS DRAWING IS THE SOLE PROPERTY OF MIRATECH GROUP, LLC. ANY REPRODUCTION IN PART OR AS A WHOLE WITHOUT THE WRITTEN PERMISSION OF MIRATECH GROUP, LLC IS PROHIBITED.</p>	<p>DIMENSIONS ARE IN INCHES UNLESS OTHERWISE SPECIFIED</p> <p>ANGLES: MACH: ±1° INCHES: ±0.125 BEND: ±3° MILLIMETERS: ±2</p>				
PROPOSAL NUMBER		<p>DO NOT SCALE DRAWING</p>		<p><b>JIGA0-25MN-2-00000VYK</b> Sales Drawing</p>		
SALES ORDER NO.		<p>DRAWN: JFS</p> <p>REVIEWED BY: EQJ</p>	<p>DATE: 08/08/2016</p> <p>DATE: 08/19/2016</p>	<p>DRAWING: JIGA0-25MN-2-00000VYK SD</p> <p>SIZE: A</p>	<p>SCALE: 1:8</p> <p>WEIGHT: 20 lb</p>	<p>REV: 1</p> <p>SHEET 1 OF 1</p>
CUSTOMER P.O.						