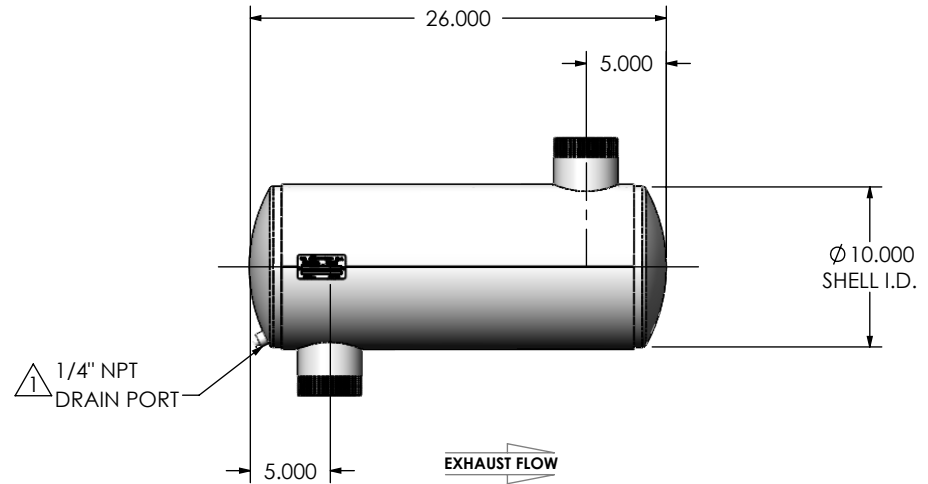
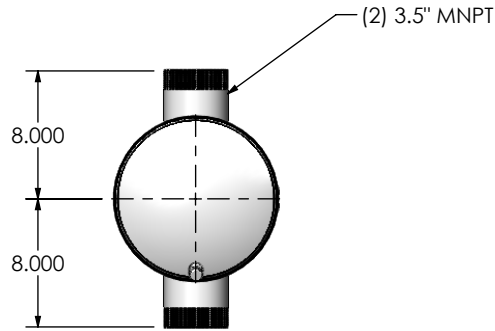
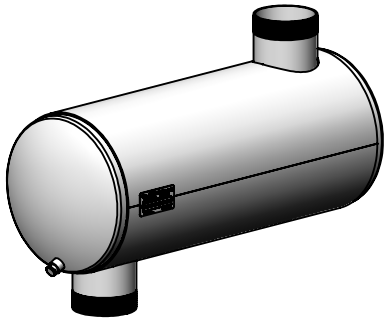


REVISIONS				
REV.	DESCRIPTION	DATE	SHEET(S)	DRAWN BY
0	RELEASED FOR CUSTOMER APPROVAL	8/8/2016	-	JFS
1	UPDATED DRAIN PLUG DESCRIPTION	11/1/2017	1	SSC



NOTES:



- DO NOT USE EQUIPMENT TO SUPPORT OTHER PARTS OF THE EXHAUST SYSTEM WITHOUT PROPER REINFORCEMENT

MATERIAL CONSTRUCTION:

- ALUMINIZED STEEL

PAINT:

- HIGH TEMPERATURE BLACK (MIRATECH COATING SYSTEM 5)

PROJECT NAME	<p>PROPRIETARY AND CONFIDENTIAL</p> <p>THE INFORMATION CONTAINED IN THIS DRAWING IS THE SOLE PROPERTY OF MIRATECH GROUP, LLC. ANY REPRODUCTION IN PART OR AS A WHOLE WITHOUT THE WRITTEN PERMISSION OF MIRATECH GROUP, LLC IS PROHIBITED.</p>	DIMENSIONS ARE IN INCHES UNLESS OTHERWISE SPECIFIED <small>ANGLES:</small> MACH: ±1° INCHES: ±0.125 BEND: ±3° MILLIMETERS: ±2		 		
PROPOSAL NUMBER		DO NOT SCALE DRAWING		<p>JIGA0-35MN-1-000016UA</p> <p>Sales Drawing</p>		
SALES ORDER NO.		DRAWN	DATE			DRAWING
CUSTOMER P.O.		REVIEWED BY	DATE	SIZE	SCALE	WEIGHT
	EQJ	08/19/2016	A	1:12	33 lb	1 OF 1