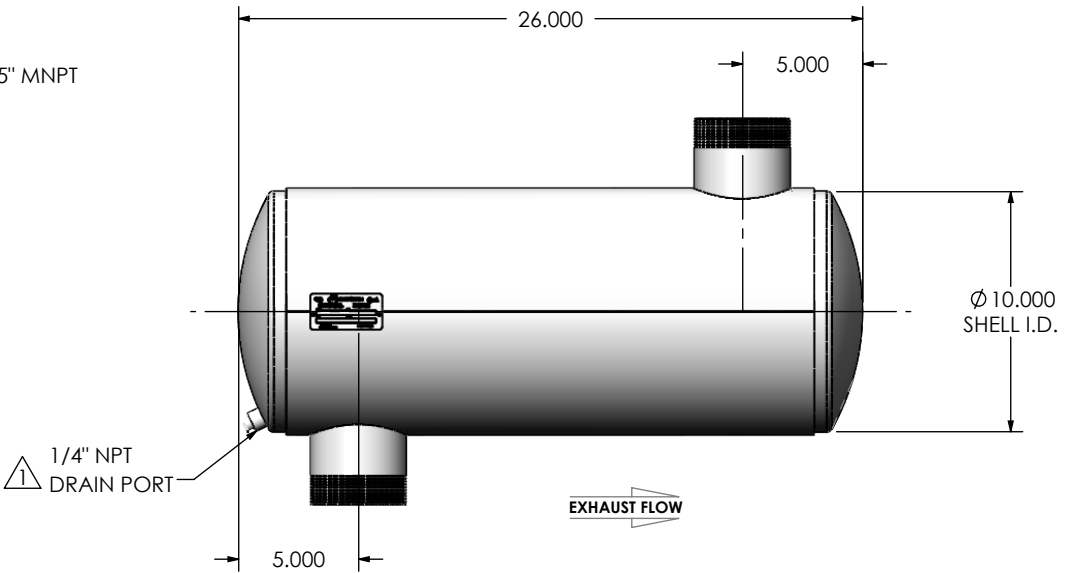
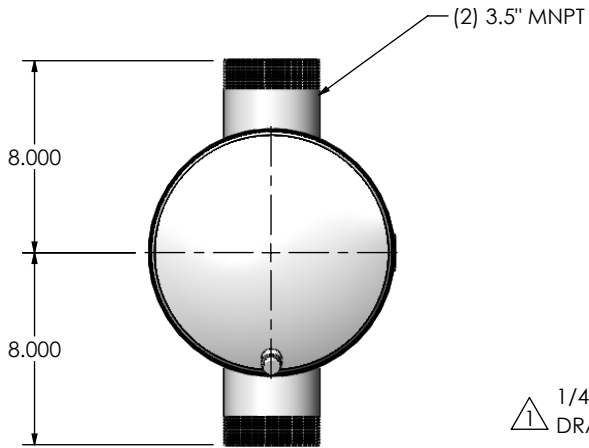
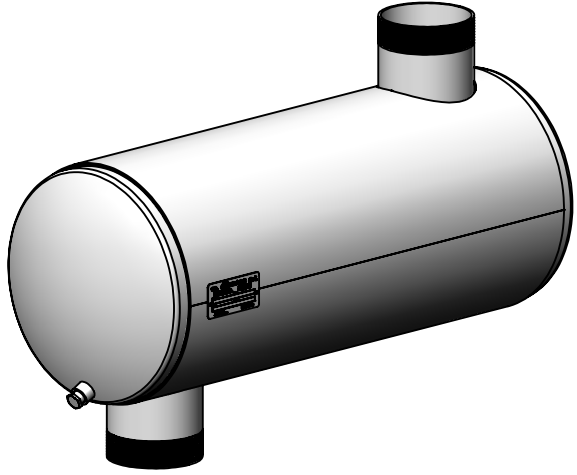


REVISIONS				
REV.	DESCRIPTION	DATE	SHEET(S)	DRAWN BY
0	RELEASED FOR CUSTOMER APPROVAL	8/8/2016	-	JFS
1	UPDATED DRAIN PLUG DESCRIPTION	11/1/2017	1	SSC



NOTES:

- DO NOT USE EQUIPMENT TO SUPPORT OTHER PARTS OF THE EXHAUST SYSTEM WITHOUT PROPER REINFORCEMENT

MATERIAL CONSTRUCTION:

- CARBON STEEL

PAINT:

- HIGH TEMPERATURE BLACK (MIRATECH COATING SYSTEM 5)

PROJECT NAME	<p>PROPRIETARY AND CONFIDENTIAL</p> <p>THE INFORMATION CONTAINED IN THIS DRAWING IS THE SOLE PROPERTY OF MIRATECH GROUP, LLC. ANY REPRODUCTION IN PART OR AS A WHOLE WITHOUT THE WRITTEN PERMISSION OF MIRATECH GROUP, LLC IS PROHIBITED.</p>
PROPOSAL NUMBER	
SALES ORDER NO.	
CUSTOMER P.O.	

DIMENSIONS ARE IN INCHES UNLESS OTHERWISE SPECIFIED	
<small>DIMENSIONAL TOLERANCES UNLESS OTHERWISE SPECIFIED</small> ANGLES: MACH: ±1° BEND: ±3°	<small>DIMENSIONAL TOLERANCES UNLESS OTHERWISE SPECIFIED</small> INCHES: ±0.125 MILLIMETERS: ±2
DO NOT SCALE DRAWING	
DRAWN JFS	DATE 08/08/2016
REVIEWED BY EQJ	DATE 08/19/2016



JIGA0-35MN-2-000016UA
Sales Drawing

DRAWING JIGA0-35MN-2-000016UA SD		REV 1
SIZE A	SCALE 1:8	WEIGHT: 33 lb
		SHEET 1 OF 1