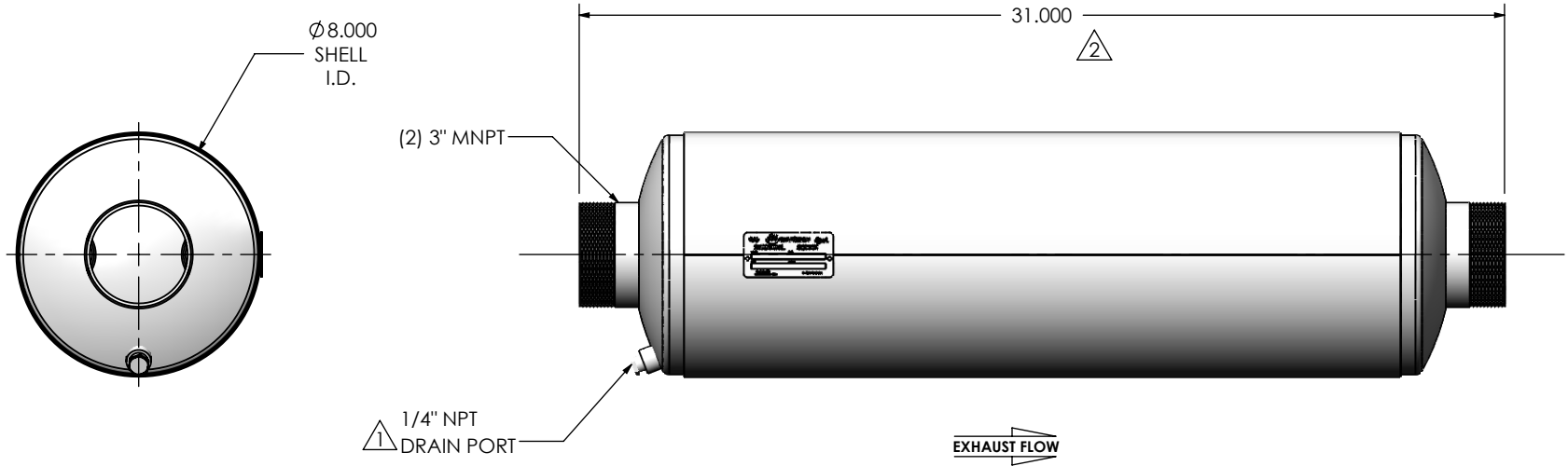
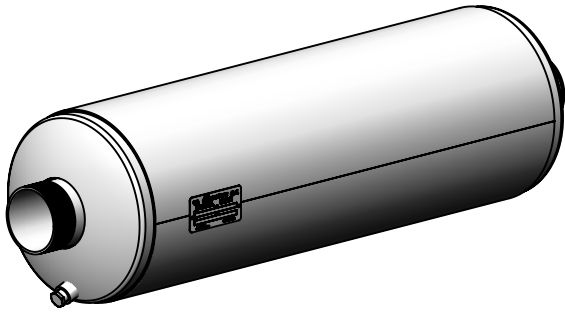


REVISIONS				
REV.	DESCRIPTION	DATE	SHEET(S)	DRAWN BY
1	UPDATED DRAIN PLUG DESCRIPTION	10/31/2017	1	FES
2	CORRECTED ASSEMBLY CONFIGURATION	1/11/2019	1	CAC



NOTES:

- DO NOT USE EQUIPMENT TO SUPPORT OTHER PARTS OF THE EXHAUST SYSTEM WITHOUT PROPER REINFORCEMENT

MATERIAL CONSTRUCTION:

- 304 STAINLESS STEEL

PAINT:

- NONE

PROJECT NAME	PROPRIETARY AND CONFIDENTIAL THE INFORMATION CONTAINED IN THIS DRAWING IS THE SOLE PROPERTY OF MIRATECH GROUP, LLC. ANY REPRODUCTION IN PART OR AS A WHOLE WITHOUT THE WRITTEN PERMISSION OF MIRATECH GROUP, LLC IS PROHIBITED.
PROPOSAL NUMBER	
SALES ORDER NO.	
CUSTOMER P.O.	

DIMENSIONS ARE IN INCHES UNLESS OTHERWISE SPECIFIED DIMENSIONAL TOLERANCES UNLESS OTHERWISE SPECIFIED ANGLES: MACH: ±1° INCHES: ±0.125 BEND: ±3° MILLIMETERS: ±2	
DO NOT SCALE DRAWING	
DRAWN	DATE
JFS	08/08/2016
REVIEWED BY	DATE
EQJ	08/19/2016

DRAWING		REV
JREE0-03MN-3-00000000 SD		2
SIZE	SCALE	WEIGHT
A	1:6	24 lb

JREE0-03MN-3-00000000 Sales Drawing	
DRAWING: JREE0-03MN-3-00000000 SD	
SHEET 1 OF 1	