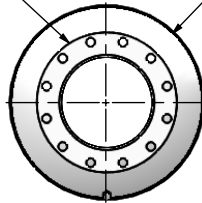
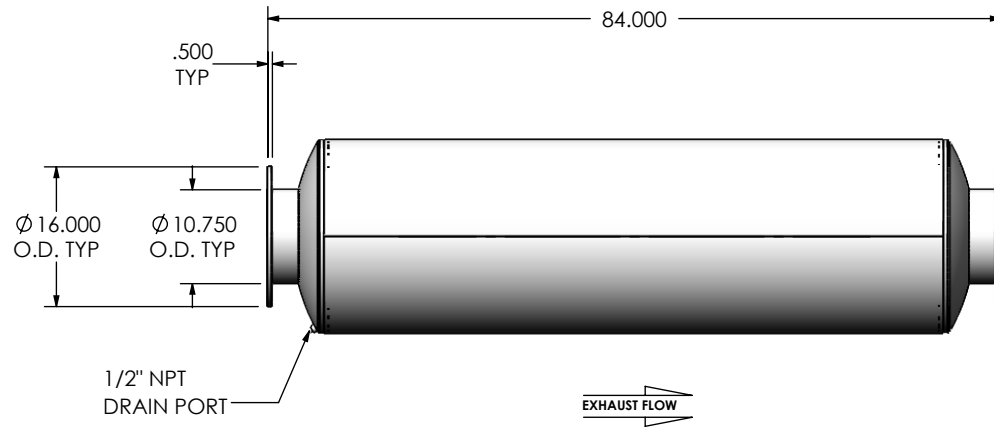


(2) 10" FF FLANGE
150 lb ANSI
STANDARD
BOLT PATTERN



Ø 22.000
SHELL
I.D.



1/2" NPT
DRAIN PORT

EXHAUST FLOW

NOTES:



- DO NOT USE EQUIPMENT TO SUPPORT OTHER PARTS OF THE EXHAUST SYSTEM WITHOUT PROPER REINFORCEMENT

MATERIAL CONSTRUCTION:

- ALUMINIZED STEEL

PAINT:

- HIGH TEMPERATURE BLACK (MIRATECH COATING SYSTEM 5)

PROJECT NAME	<p>PROPRIETARY AND CONFIDENTIAL</p> <p>THE INFORMATION CONTAINED IN THIS DRAWING IS THE SOLE PROPERTY OF MIRATECH GROUP, LLC. ANY REPRODUCTION IN PART OR AS A WHOLE WITHOUT THE WRITTEN PERMISSION OF MIRATECH GROUP, LLC IS PROHIBITED.</p>	<p>DIMENSIONS ARE IN INCHES UNLESS OTHERWISE SPECIFIED</p>		 
PROPOSAL NUMBER		<p><small>DIMENSIONAL TOLERANCES UNLESS OTHERWISE SPECIFIED</small></p> <p>ANGLES: INCHES: ±0.125</p> <p>MACH: ±1" BEND: ±3" MILLIMETERS: ±2</p>		
SALES ORDER NO.		<p>DO NOT SCALE DRAWING</p>		<p>JREE0-10PF-1-00000000</p> <p>Sales Drawing</p>
CUSTOMER P.O.		<p>DRAWN: JFS DATE: 08/08/2016</p> <p>REVIEWED BY: EQJ DATE: 08/19/2016</p>	<p>DRAWING: JREE0-10PF-1-00000000 SD</p> <p>SIZE: A SCALE: 1:22 WEIGHT: 309 lb</p>	