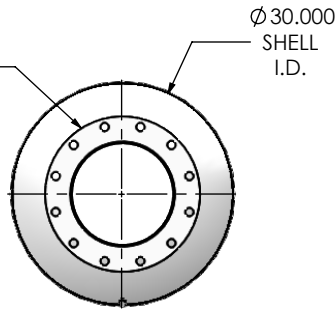
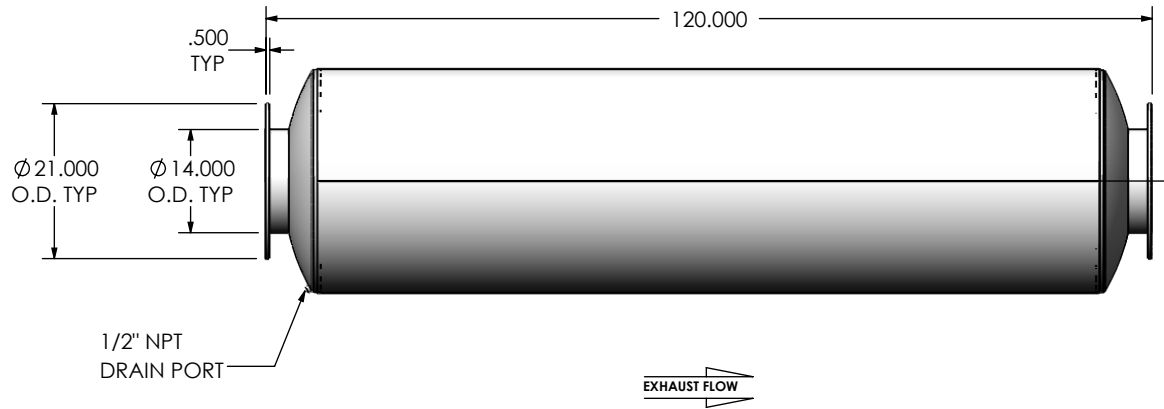


(2) 14" FF FLANGE
150 lb ANSI
STANDARD
BOLT PATTERN



Ø 30.000
SHELL
I.D.



NOTES:

- DO NOT USE EQUIPMENT TO SUPPORT OTHER PARTS OF THE EXHAUST SYSTEM WITHOUT PROPER REINFORCEMENT

MATERIAL CONSTRUCTION:

- 304 STAINLESS STEEL

PAINT:

- NONE

PROJECT NAME	
PROPOSAL NUMBER	
SALES ORDER NO.	
CUSTOMER P.O.	

PROPRIETARY AND CONFIDENTIAL



THE INFORMATION CONTAINED IN THIS DRAWING IS THE SOLE PROPERTY OF MIRATECH GROUP, LLC. ANY REPRODUCTION IN PART OR AS A WHOLE WITHOUT THE WRITTEN PERMISSION OF MIRATECH GROUP, LLC IS PROHIBITED.

DIMENSIONS ARE IN INCHES
UNLESS OTHERWISE SPECIFIED

DIMENSIONAL TOLERANCES UNLESS OTHERWISE SPECIFIED	
ANGLES:	
MACH: ±1"	INCHES: ±0.125
BEND: ±3°	MILLIMETERS: ±2

DO NOT SCALE DRAWING

DRAWN	DATE
JFS	08/08/2016
REVIEWED BY	DATE
EQJ	08/19/2016

 MIRATECH		
JREE0-14PF-3-00000000 Sales Drawing		
DRAWING		REV
JREE0-14PF-3-00000000 SD		0
SIZE	SCALE 1:26	WEIGHT: 583 lb
A		SHEET 1 OF 1