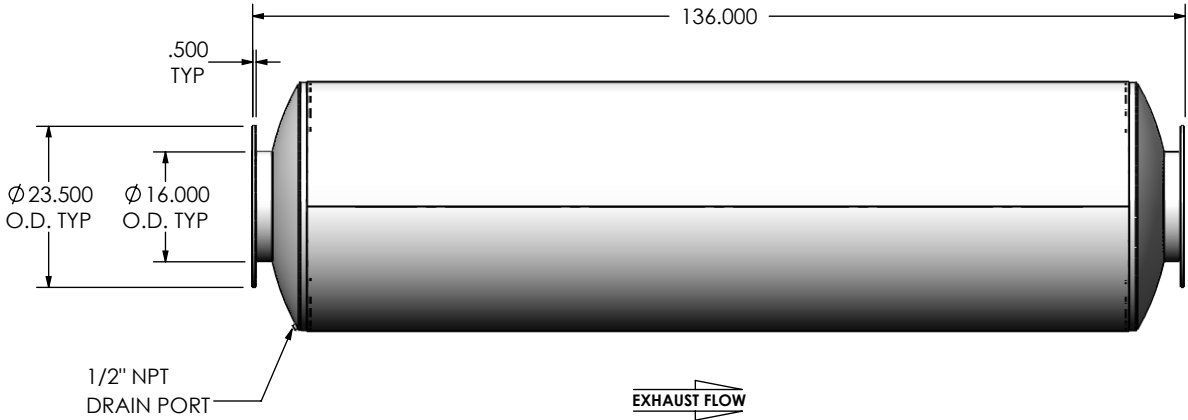
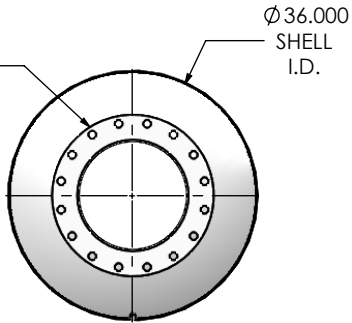


(2) 16" FF FLANGE
150 lb ANSI
STANDARD
BOLT PATTERN



NOTES:

- DO NOT USE EQUIPMENT TO SUPPORT OTHER PARTS OF THE EXHAUST SYSTEM WITHOUT PROPER REINFORCEMENT

MATERIAL CONSTRUCTION:

- CARBON STEEL

PAINT:

- HIGH TEMPERATURE BLACK (MIRATECH COATING SYSTEM 5)

PROJECT NAME	<p>PROPRIETARY AND CONFIDENTIAL</p> <p>THE INFORMATION CONTAINED IN THIS DRAWING IS THE SOLE PROPERTY OF MIRATECH GROUP, LLC. ANY REPRODUCTION IN PART OR AS A WHOLE WITHOUT THE WRITTEN PERMISSION OF MIRATECH GROUP, LLC IS PROHIBITED.</p>	<p>DIMENSIONS ARE IN INCHES UNLESS OTHERWISE SPECIFIED</p>				
PROPOSAL NUMBER		<p><small>DIMENSIONAL TOLERANCES UNLESS OTHERWISE SPECIFIED</small></p> <p>ANGLES: MACH: ±1° INCHES: ±0.125 BEND: ±3° MILLIMETERS: ±2</p>				
SALES ORDER NO.		<p>DO NOT SCALE DRAWING</p>		<p>JREE0-16PF-2-00000000 Sales Drawing</p>		
CUSTOMER P.O.		<p>DRAWN: JFS</p> <p>REVIEWED BY: EQJ</p>	<p>DATE: 08/08/2016</p> <p>DATE: 08/19/2016</p>			