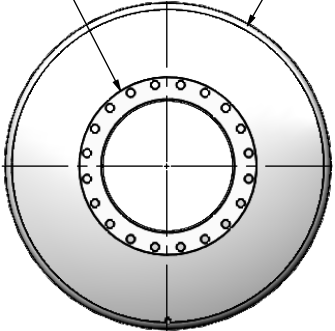
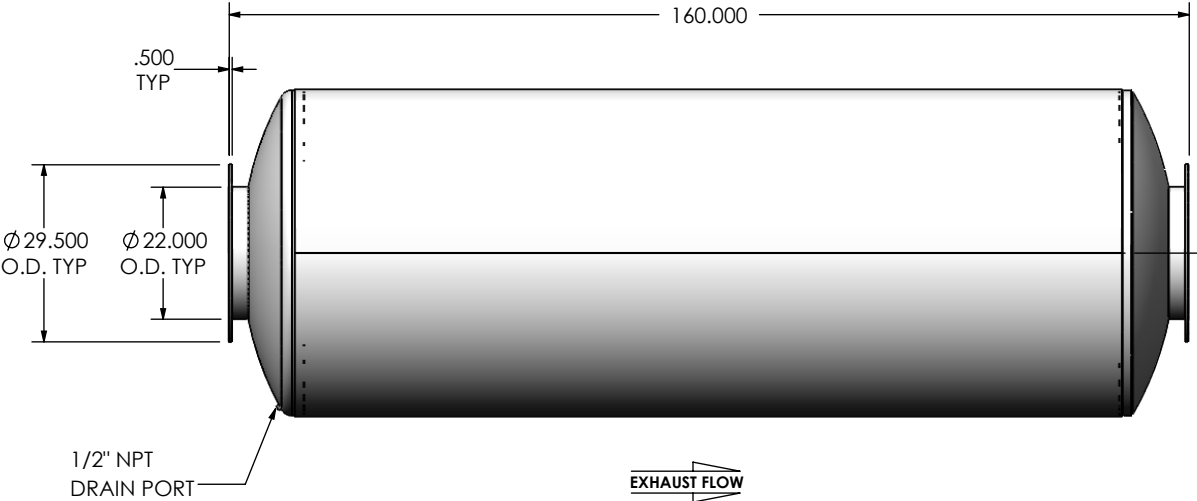


(2) 22" FF FLANGE  
150 lb ANSI  
STANDARD  
BOLT PATTERN



Ø 54.000  
SHELL  
I.D.



**NOTES:**

- DO NOT USE EQUIPMENT TO SUPPORT OTHER PARTS OF THE EXHAUST SYSTEM WITHOUT PROPER REINFORCEMENT

**MATERIAL CONSTRUCTION:**

- 304 STAINLESS STEEL

**PAINT:**

- NONE

PROJECT NAME	<p><b>PROPRIETARY AND CONFIDENTIAL</b></p> <p>THE INFORMATION CONTAINED IN THIS DRAWING IS THE SOLE PROPERTY OF MIRATECH GROUP, LLC. ANY REPRODUCTION IN PART OR AS A WHOLE WITHOUT THE WRITTEN PERMISSION OF MIRATECH GROUP, LLC IS PROHIBITED.</p>	<p>DIMENSIONS ARE IN INCHES UNLESS OTHERWISE SPECIFIED</p>				
PROPOSAL NUMBER		<p>ANGLES: DIMENSIONAL TOLERANCES UNLESS OTHERWISE SPECIFIED</p> <p>MACH: ±1" INCHES: ±0.125 BEND: ±3" MILLIMETERS: ±2</p>				
SALES ORDER NO.		<p>DO NOT SCALE DRAWING</p>		<p><b>JREE0-22PF-3-00000000</b> Sales Drawing</p>		
CUSTOMER P.O.		DRAWN	DATE			
	REVIEWED BY	DATE	SIZE	SCALE	WEIGHT	SHEET
	EQJ	08/19/2016	A	SCALE 1:32	WEIGHT: 1470 lb	1 OF 1