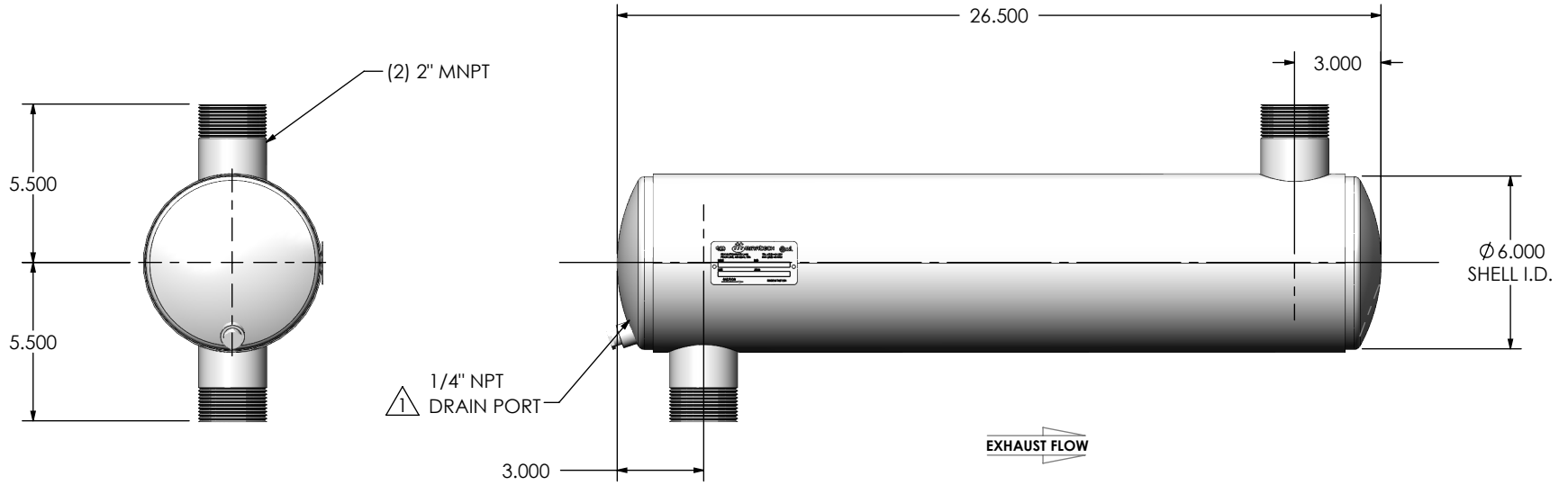
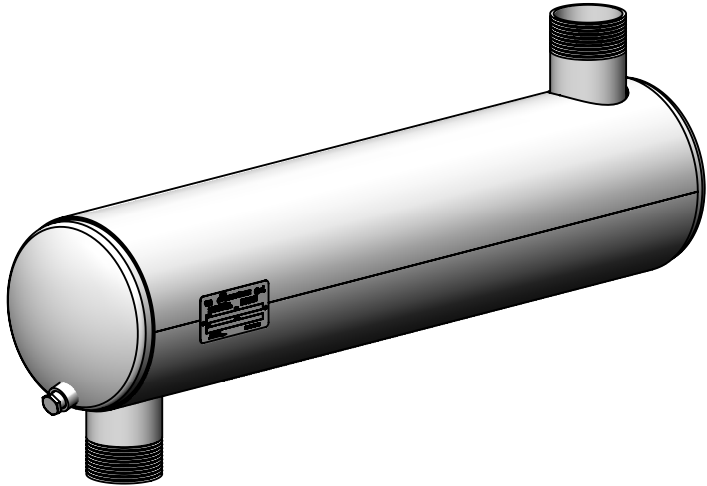


REVISIONS				
REV.	DESCRIPTION	DATE	SHEET(S)	DRAWN BY
0	ORIGINAL RELEASE	08/08/2016	1	JFS
1	UPDATED DRAIN PLUG DESCRIPTION	10/31/2017	1	FES



**NOTES:**

- DO NOT USE EQUIPMENT TO SUPPORT OTHER PARTS OF THE EXHAUST SYSTEM WITHOUT PROPER REINFORCEMENT

**MATERIAL CONSTRUCTION:**

- CARBON STEEL

**PAINT:**

- HIGH TEMPERATURE BLACK (MIRATECH COATING SYSTEM 5)

PROJECT NAME	<p><b>PROPRIETARY AND CONFIDENTIAL</b></p> <p>THE INFORMATION CONTAINED IN THIS DRAWING IS THE SOLE PROPERTY OF MIRATECH GROUP, LLC. ANY REPRODUCTION IN PART OR AS A WHOLE WITHOUT THE WRITTEN PERMISSION OF MIRATECH GROUP, LLC IS PROHIBITED.</p>	DIMENSIONS ARE IN INCHES UNLESS OTHERWISE SPECIFIED			<p><b>JRGA0-02MN-2-00000Q3K</b></p> <p><b>Sales Drawing</b></p>							
PROPOSAL NUMBER		<small>DIMENSIONAL TOLERANCES UNLESS OTHERWISE SPECIFIED</small> <small>ANGLES</small> MACH: ±1°    INCHES: ±0.125 BEND: ±3°    MILLIMETERS: ±2	DO NOT SCALE DRAWING									
SALES ORDER NO.		DRAWN	JFS	DATE	08/08/2016	DRAWING	JRGA0-02MN-2-00000Q3K SD	REV	1			
CUSTOMER P.O.		REVIEWED BY	EQJ	DATE	08/19/2016	SIZE	A	SCALE	1:6	WEIGHT:	18 lb	SHEET