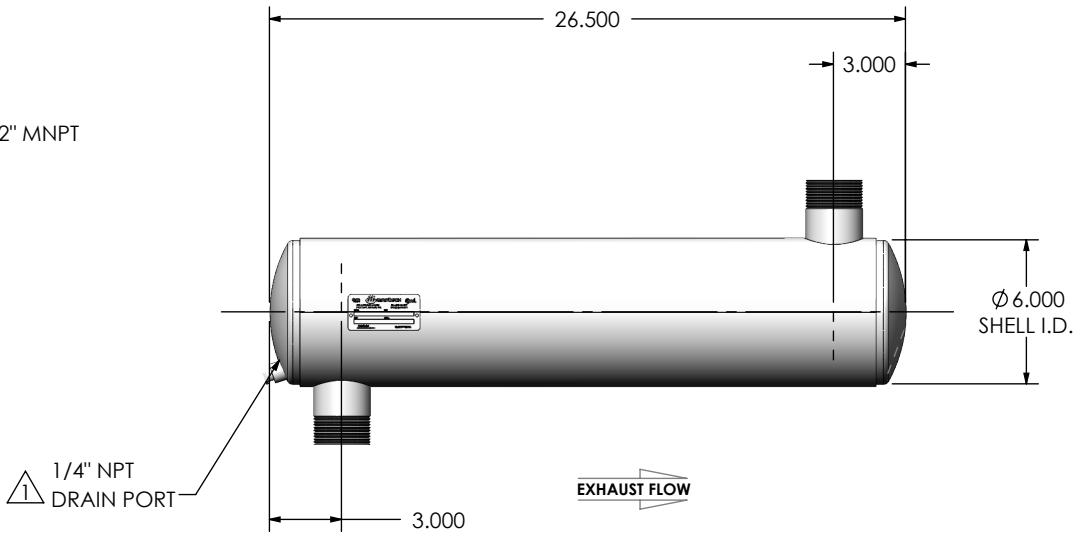
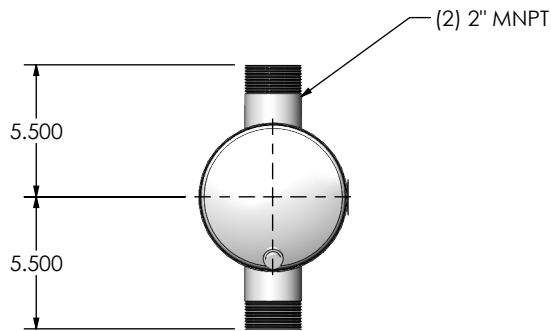
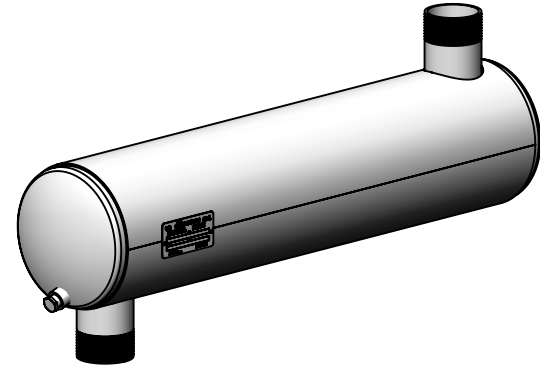


REVISIONS				
REV.	DESCRIPTION	DATE	SHEET(S)	DRAWN BY
1	UPDATED DRAIN PLUG DESCRIPTION	10/31/2017	1	FES



**NOTES:**

- DO NOT USE EQUIPMENT TO SUPPORT OTHER PARTS OF THE EXHAUST SYSTEM WITHOUT PROPER REINFORCEMENT

**MATERIAL CONSTRUCTION:**

- 304 STAINLESS STEEL

**PAINT:**

- NONE

PROJECT NAME	<p><b>PROPRIETARY AND CONFIDENTIAL</b></p> <p>THE INFORMATION CONTAINED IN THIS DRAWING IS THE SOLE PROPERTY OF MIRATECH GROUP, LLC. ANY REPRODUCTION IN PART OR AS A WHOLE WITHOUT THE WRITTEN PERMISSION OF MIRATECH GROUP, LLC IS PROHIBITED.</p>	DIMENSIONS ARE IN INCHES UNLESS OTHERWISE SPECIFIED			<p><b>JRGA0-02MN-3-00000Q3K</b></p> <p><b>Sales Drawing</b></p>	
PROPOSAL NUMBER		<small>DIMENSIONAL TOLERANCES UNLESS OTHERWISE SPECIFIED</small> <small>ANGLES:</small> <small>MACH: ±1°</small> <small>INCHES: ±0.125</small> <small>BEND: ±3°</small> <small>MILLIMETERS: ±2</small>	DO NOT SCALE DRAWING			
SALES ORDER NO.		<small>DRAWN</small> <small>JFS</small>	<small>DATE</small> <small>08/08/2016</small>	<small>DRAWING</small> JRGA0-02MN-3-00000Q3K SD		
CUSTOMER P.O.		<small>REVIEWED BY</small> EQJ	<small>DATE</small> 08/19/2016	<small>SIZE</small> <b>A</b>	<small>SCALE</small> 1:8	<small>WEIGHT</small> 18 lb
					<small>REV</small> <b>1</b>	
					<small>SHEET 1 OF 1</small>	