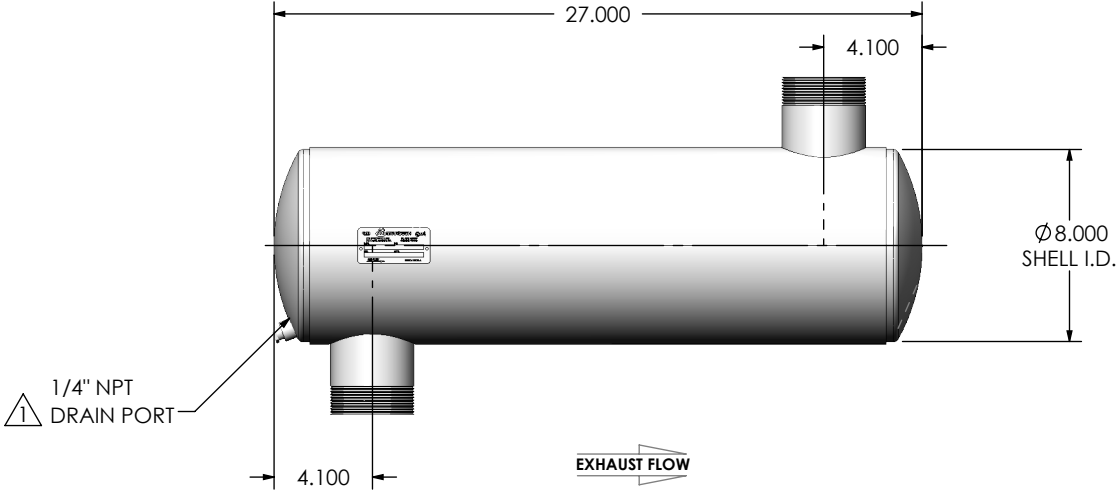
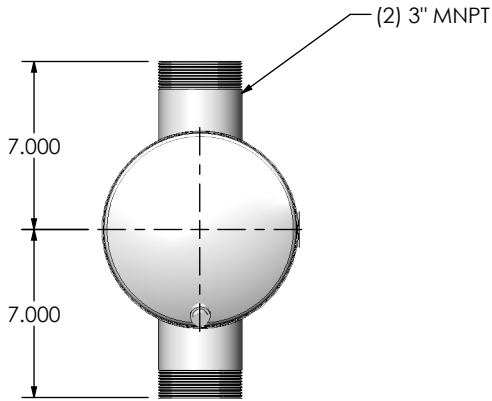
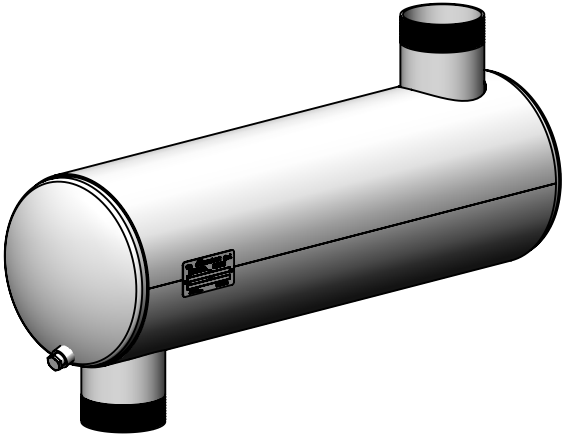


REVISIONS				
REV.	DESCRIPTION	DATE	SHEET(S)	DRAWN BY
1	UPDATED DRAIN PLUG DESCRIPTION	10/31/2017	1	FES



NOTES:

- DO NOT USE EQUIPMENT TO SUPPORT OTHER PARTS OF THE EXHAUST SYSTEM WITHOUT PROPER REINFORCEMENT

MATERIAL CONSTRUCTION:

- ALUMINIZED STEEL

PAINT:

- HIGH TEMPERATURE BLACK (MIRATECH COATING SYSTEM 5)

PROJECT NAME	<p>PROPRIETARY AND CONFIDENTIAL</p> <p>THE INFORMATION CONTAINED IN THIS DRAWING IS THE SOLE PROPERTY OF MIRATECH GROUP, LLC. ANY REPRODUCTION IN PART OR AS A WHOLE WITHOUT THE WRITTEN PERMISSION OF MIRATECH GROUP, LLC IS PROHIBITED.</p>
PROPOSAL NUMBER	
SALES ORDER NO.	
CUSTOMER P.O.	

DIMENSIONS ARE IN INCHES UNLESS OTHERWISE SPECIFIED	
<small>DIMENSIONAL TOLERANCES UNLESS OTHERWISE SPECIFIED</small> <small>ANGLES:</small> MACH: ±1° BEND: ±3°	<small>INCHES:</small> ±0.125 <small>MILLIMETERS:</small> ±2
DO NOT SCALE DRAWING	
<small>DRAWN</small> JFS	<small>DATE</small> 08/08/2016
<small>REVIEWED BY</small> EQJ	<small>DATE</small> 08/19/2016

DRAWING	
JRG A0-03MN-1-00000ZAQ SD	
<small>REV</small>	1

<p>JRG A0-03MN-1-00000ZAQ Sales Drawing</p>			
<small>SIZE</small>	A	<small>SCALE</small>	1:8
<small>WEIGHT</small>	25 lb	<small>SHEET</small>	1 OF 1