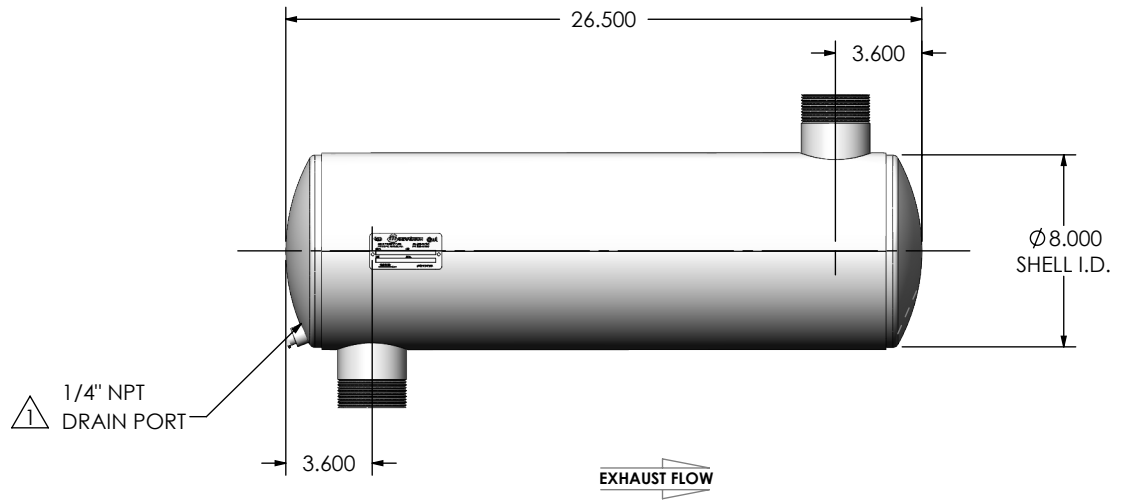
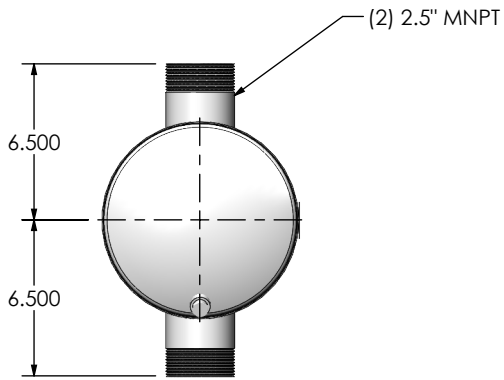
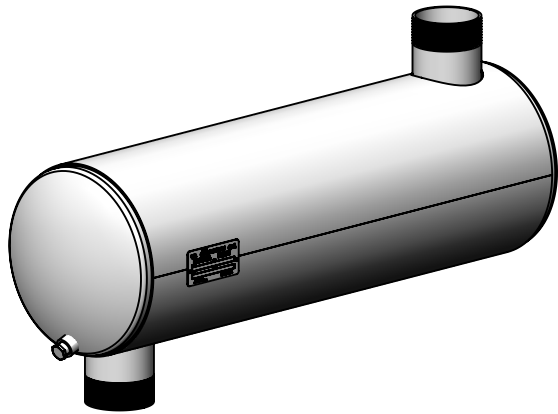


REVISIONS				
REV.	DESCRIPTION	DATE	SHEET(S)	DRAWN BY
1	UPDATED DRAIN PLUG DESCRIPTION	10/31/2017	1	FES



**NOTES:**

- DO NOT USE EQUIPMENT TO SUPPORT OTHER PARTS OF THE EXHAUST SYSTEM WITHOUT PROPER REINFORCEMENT

**MATERIAL CONSTRUCTION:**

- ALUMINIZED STEEL

**PAINT:**

- HIGH TEMPERATURE BLACK (MIRATECH COATING SYSTEM 5)

PROJECT NAME	<p><b>PROPRIETARY AND CONFIDENTIAL</b></p> <p>THE INFORMATION CONTAINED IN THIS DRAWING IS THE SOLE PROPERTY OF MIRATECH GROUP, LLC. ANY REPRODUCTION IN PART OR AS A WHOLE WITHOUT THE WRITTEN PERMISSION OF MIRATECH GROUP, LLC IS PROHIBITED.</p>	DIMENSIONS ARE IN INCHES UNLESS OTHERWISE SPECIFIED			<p><b>JRGA0-25MN-1-00000V4A</b></p> <p><b>Sales Drawing</b></p>
PROPOSAL NUMBER		<small>DIMENSIONAL TOLERANCES UNLESS OTHERWISE SPECIFIED</small> <small>ANGLES:</small> <small>MACH: ±1°</small> <small>INCHES: ±0.125</small> <small>BEND: ±3°</small> <small>MILLIMETERS: ±2</small>			
SALES ORDER NO.		DO NOT SCALE DRAWING		DRAWING	
CUSTOMER P.O.		<small>DRAWN</small> JFS <small>DATE</small> 08/08/2016	<small>REVIEWED BY</small> EQJ <small>DATE</small> 08/19/2016		
		<small>SIZE</small> A	<small>SCALE</small> 1:8	<small>WEIGHT</small> 23 lb	<small>SHEET 1 OF 1</small>