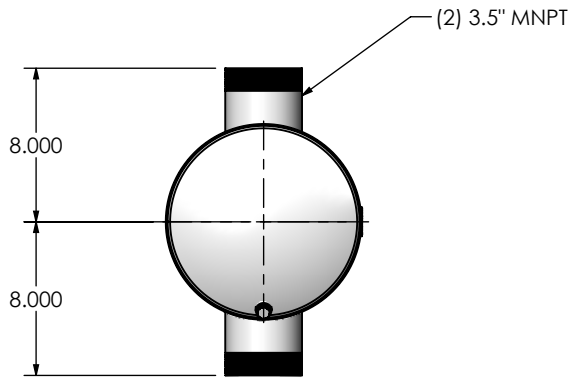
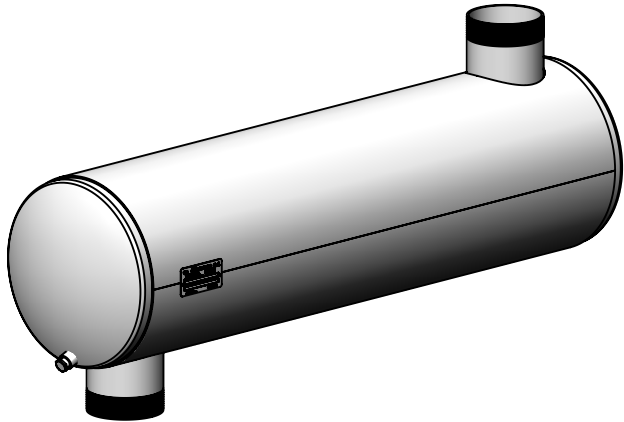
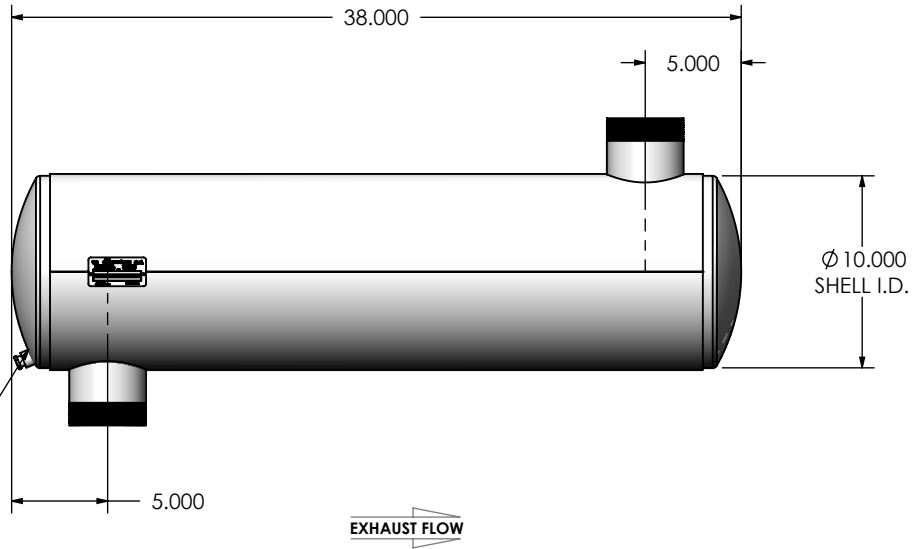


REVISIONS				
REV.	DESCRIPTION	DATE	SHEET(S)	DRAWN BY
0	ORIGINAL RELEASE	08/08/2016	1	JFS
1	UPDATED DRAIN PLUG DESCRIPTION	11/1/2017	1	FES



1/4" NPT DRAIN PORT



NOTES:

- DO NOT USE EQUIPMENT TO SUPPORT OTHER PARTS OF THE EXHAUST SYSTEM WITHOUT PROPER REINFORCEMENT

MATERIAL CONSTRUCTION:

- 304 STAINLESS STEEL



PAINT:

- NONE

PROJECT NAME	<p>PROPRIETARY AND CONFIDENTIAL</p> <p>THE INFORMATION CONTAINED IN THIS DRAWING IS THE SOLE PROPERTY OF MIRATECH GROUP, LLC. ANY REPRODUCTION IN PART OR AS A WHOLE WITHOUT THE WRITTEN PERMISSION OF MIRATECH GROUP, LLC IS PROHIBITED.</p>
PROPOSAL NUMBER	
SALES ORDER NO.	
CUSTOMER P.O.	

DIMENSIONS ARE IN INCHES UNLESS OTHERWISE SPECIFIED	
<small>DIMENSIONAL TOLERANCES UNLESS OTHERWISE SPECIFIED</small> ANGLES: MACH: ±1° BEND: ±3°	<small>DIMENSIONAL TOLERANCES UNLESS OTHERWISE SPECIFIED</small> INCHES: ±0.125 MILLIMETERS: ±2
DO NOT SCALE DRAWING	
DRAWN	DATE
JFS	08/08/2016
REVIEWED BY	DATE
EQJ	08/19/2016

DRAWING		REV
JRGA0-35MN-3-000016UA SD		1
SIZE	SCALE	WEIGHT
A	1:10	46 lb

 MIRATECH	
JRGA0-35MN-3-000016UA Sales Drawing	
<small>SHEET 1 OF 1</small>	