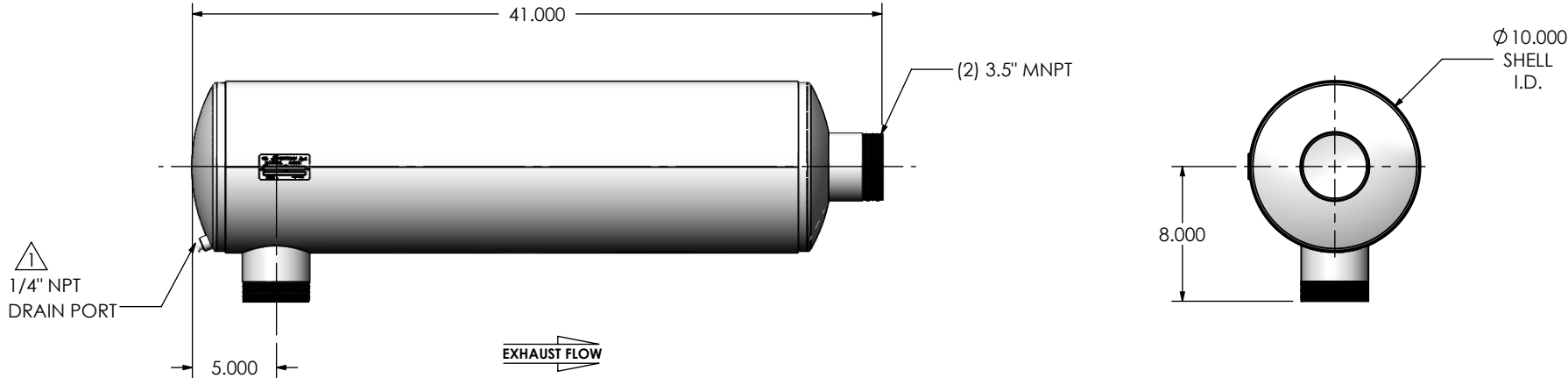
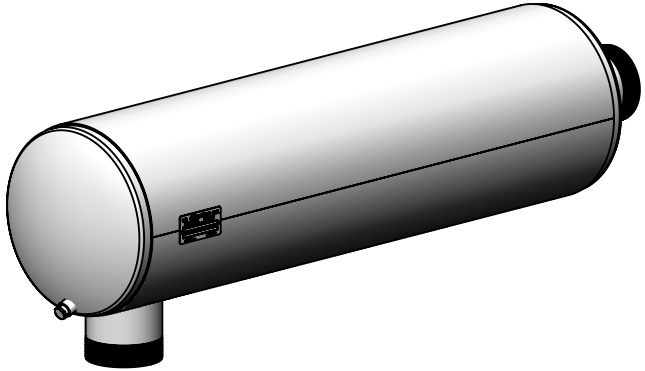


REVISIONS				
REV.	DESCRIPTION	DATE	SHEET(S)	DRAWN BY
0	ORIGINAL RELEASE	08/8/2017	1	JFS
1	UPDATED DRAIN PLUG DESCRIPTION	11/1/2017	1	FES



**NOTES:**



- DO NOT USE EQUIPMENT TO SUPPORT OTHER PARTS OF THE EXHAUST SYSTEM WITHOUT PROPER REINFORCEMENT

**MATERIAL CONSTRUCTION:**

- ALUMINIZED STEEL

**PAINT:**

- HIGH TEMPERATURE BLACK (MIRATECH COATING SYSTEM 5)

PROJECT NAME	<b>PROPRIETARY AND CONFIDENTIAL</b> THE INFORMATION CONTAINED IN THIS DRAWING IS THE SOLE PROPERTY OF MIRATECH GROUP, LLC. ANY REPRODUCTION IN PART OR AS A WHOLE WITHOUT THE WRITTEN PERMISSION OF MIRATECH GROUP, LLC IS PROHIBITED.	DIMENSIONS ARE IN INCHES UNLESS OTHERWISE SPECIFIED <small>ANGLES:</small> MACH: ±1°    INCHES: ±0.125 BEND: ±3°    MILLIMETERS: ±2		 		
PROPOSAL NUMBER		DO NOT SCALE DRAWING		<b>JRGE0-35MN-1-0000001F</b> <b>Sales Drawing</b>		
SALES ORDER NO.		DRAWN	DATE	DRAWING		
CUSTOMER P.O.		JFS	08/08/2016	JRGE0-35MN-1-0000001F SD		
	REVIEWED BY	DATE	SIZE	SCALE	WEIGHT	
	EQJ	08/19/2016	A	1:10	45 lb	
					SHEET 1 OF 1	