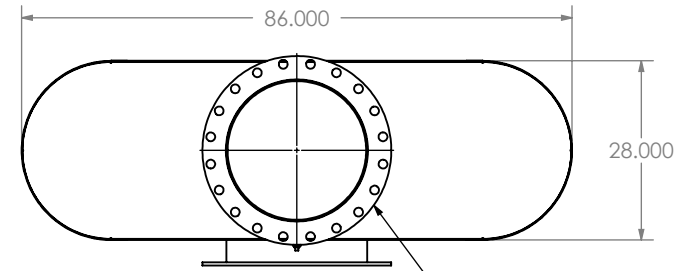
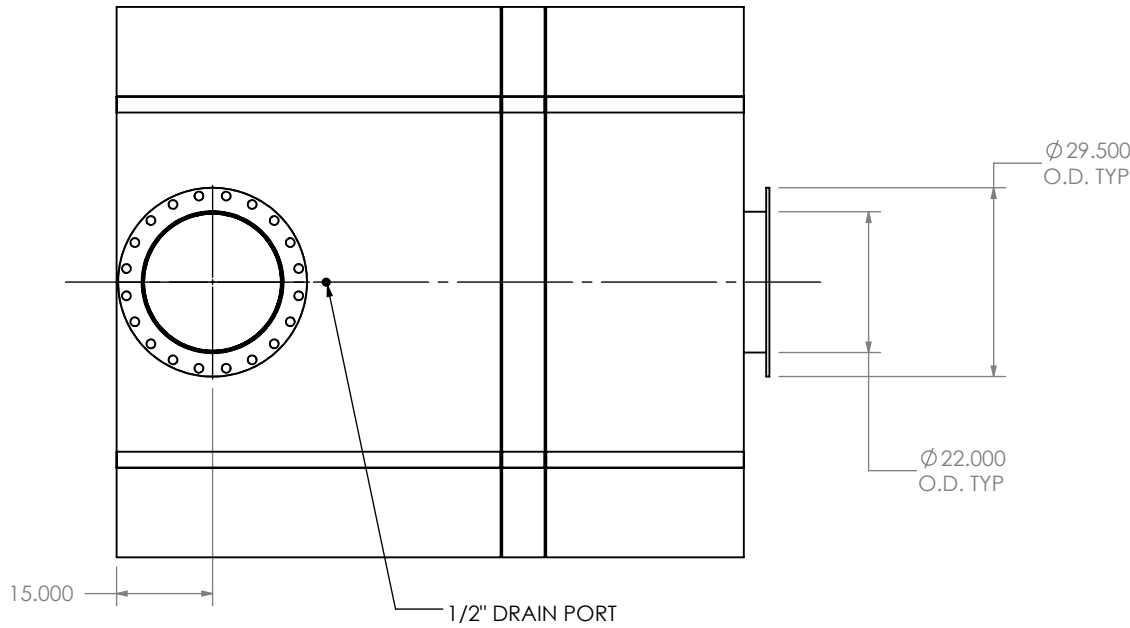


EXHAUST FLOW →



(2) 22" FF FLANGE  
150 lb ANSI  
STANDARD  
BOLT PATTERN



**NOTES:**

- DO NOT USE EQUIPMENT TO SUPPORT OTHER PARTS OF THE EXHAUST SYSTEM WITHOUT PROPER REINFORCEMENT

**MATERIAL CONSTRUCTION:**

- CARBON STEEL

**PAINT:**

- HIGH TEMPERATURE BLACK (MIRATECH COATING SYSTEM 5)

PROJECT NAME	<p><b>PROPRIETARY AND CONFIDENTIAL</b></p> <p>THE INFORMATION CONTAINED IN THIS DRAWING IS THE SOLE PROPERTY OF MIRATECH GROUP, LLC. ANY REPRODUCTION IN PART OR AS A WHOLE WITHOUT THE WRITTEN PERMISSION OF MIRATECH GROUP, LLC IS PROHIBITED.</p>
PROPOSAL NUMBER	
SALES ORDER NO.	
CUSTOMER P.O.	

<p>DIMENSIONS ARE IN INCHES UNLESS OTHERWISE SPECIFIED</p> <p>ANGLES: ±1° INCHES: ±0.125 BEND: ±3° MILLIMETERS: ±2</p> <p>DO NOT SCALE DRAWING</p>	
DRAWN	DATE
FES	9/16/2016
REVIEWED BY	DATE
AJM	09/31/2016

<p>DIMENSIONAL TOLERANCES UNLESS OTHERWISE SPECIFIED</p> <p>ANGLES: ±1° INCHES: ±0.125 BEND: ±3° MILLIMETERS: ±2</p> <p>DO NOT SCALE DRAWING</p>	
DRAWN	DATE
FES	9/16/2016
REVIEWED BY	DATE
AJM	09/31/2016

<p><b>OCBE0-22PF-2-0000004A</b> Sales Drawing</p>			
DRAWING		REV	
OCBE0-22PF-2-0000004A SD		0	
SIZE	SCALE 1:30	WEIGHT: 1554 lb	SHEET 1 OF 1
A			