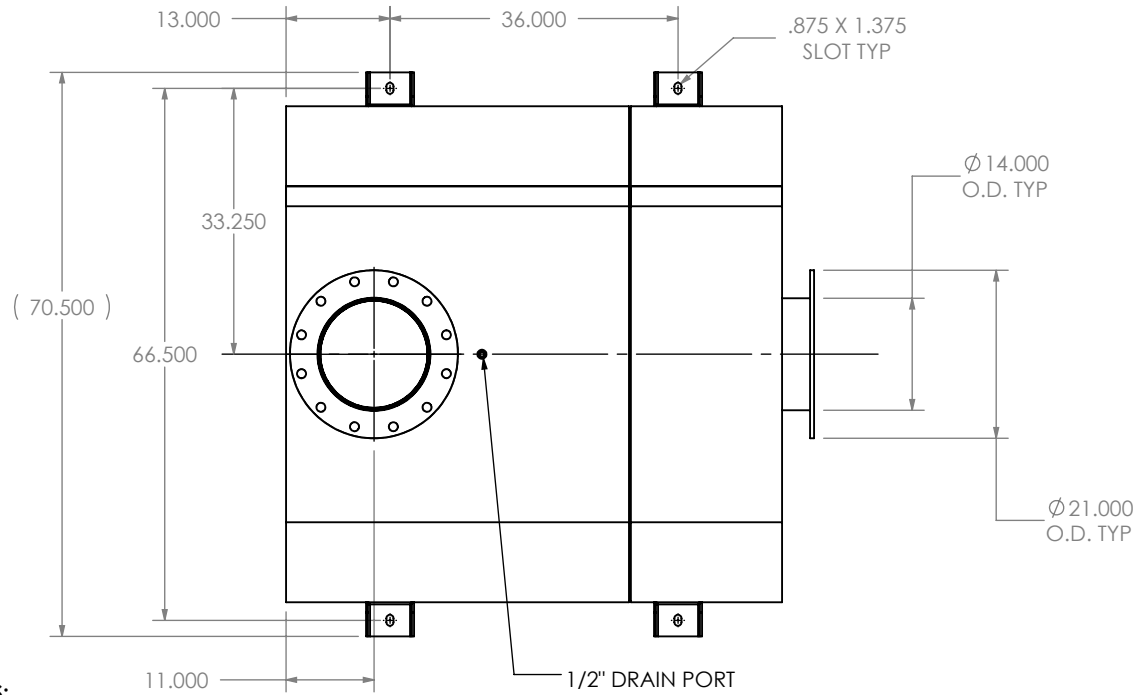


(2) 14" FF FLANGE
150 lb ANSI
STANDARD
BOLT PATTERN

EXHAUST FLOW



NOTES:

- DO NOT USE EQUIPMENT TO SUPPORT OTHER PARTS OF THE EXHAUST SYSTEM WITHOUT PROPER REINFORCEMENT

MATERIAL CONSTRUCTION:

- 304 STAINLESS STEEL

PAINT:

- NONE

PROJECT NAME	
PROPOSAL NUMBER	
SALES ORDER NO.	
CUSTOMER P.O.	

PROPRIETARY AND CONFIDENTIAL

THE INFORMATION CONTAINED IN THIS DRAWING IS THE SOLE PROPERTY OF MIRATECH GROUP, LLC. ANY REPRODUCTION IN PART OR AS A WHOLE WITHOUT THE WRITTEN PERMISSION OF MIRATECH GROUP, LLC IS PROHIBITED.

DIMENSIONS ARE IN INCHES UNLESS OTHERWISE SPECIFIED

DIMENSIONAL TOLERANCES UNLESS OTHERWISE SPECIFIED	
ANGLES	
MACH: ±1°	INCHES: ±0.125
BEND: ±3°	MILLIMETERS: ±2

DO NOT SCALE DRAWING	
DRAWN	DATE
FES	9/16/2016
REVIEWED BY	DATE
AJM	09/31/2016

OCBE0T-14PF-3-00000035 Sales Drawing			
DRAWING		REV	
OCBE0T-14PF-3-00000035 SD		0	
SIZE	SCALE 1:24	WEIGHT: 691 lb	SHEET 1 OF 1