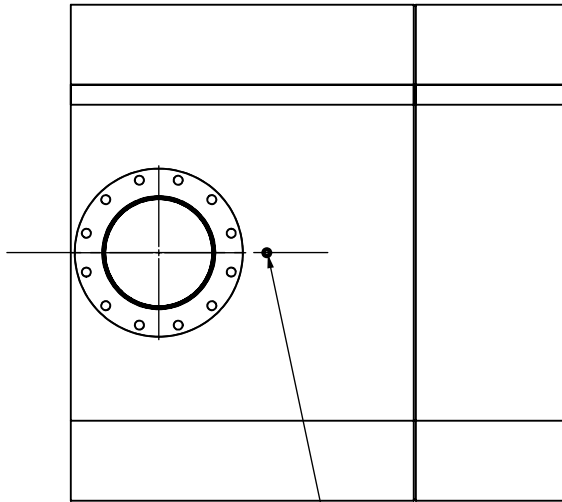
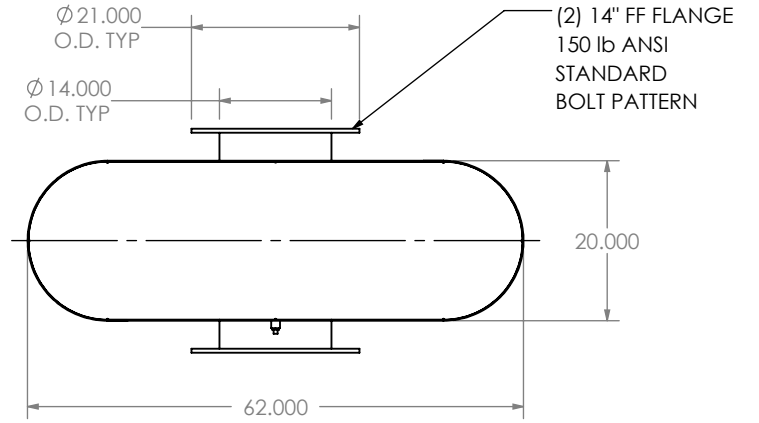


EXHAUST FLOW



NOTES:

- DO NOT USE EQUIPMENT TO SUPPORT OTHER PARTS OF THE EXHAUST SYSTEM WITHOUT PROPER REINFORCEMENT

MATERIAL CONSTRUCTION:

- CARBON STEEL

PAINT:

- HIGH TEMPERATURE BLACK (MIRATECH COATING SYSTEM 5)

PROJECT NAME	
PROPOSAL NUMBER	
SALES ORDER NO.	
CUSTOMER P.O.	

PROPRIETARY AND CONFIDENTIAL

THE INFORMATION CONTAINED IN THIS DRAWING IS THE SOLE PROPERTY OF MIRATECH GROUP, LLC. ANY REPRODUCTION IN PART OR AS A WHOLE WITHOUT THE WRITTEN PERMISSION OF MIRATECH GROUP, LLC IS PROHIBITED.

DIMENSIONS ARE IN INCHES UNLESS OTHERWISE SPECIFIED			
DIMENSIONAL TOLERANCES UNLESS OTHERWISE SPECIFIED			
ANGLES			
MACH:	±1°	INCHES:	±0.125
BEND:	±3°	MILLIMETERS:	±2
DO NOT SCALE DRAWING			
DRAWN	FES	DATE	09/16/2016
REVIEWED BY	AJM	DATE	09/30/2016

OCBT0-14PF-2-00002M1F Sales Drawing			
DRAWING		OCBT0-14PF-2-00002M1F SD	
REV	0	SCALE	1:24
SIZE	A	WEIGHT	630 lb
		SHEET 1 OF 1	