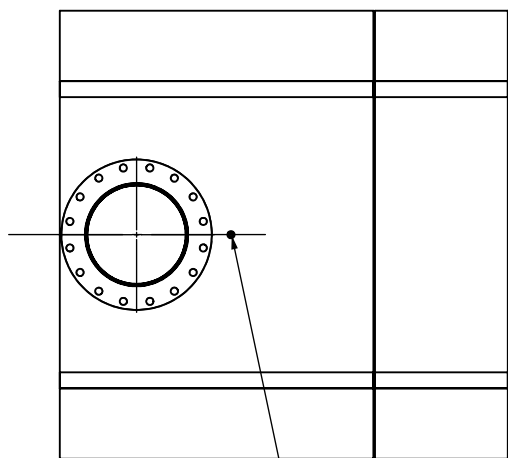
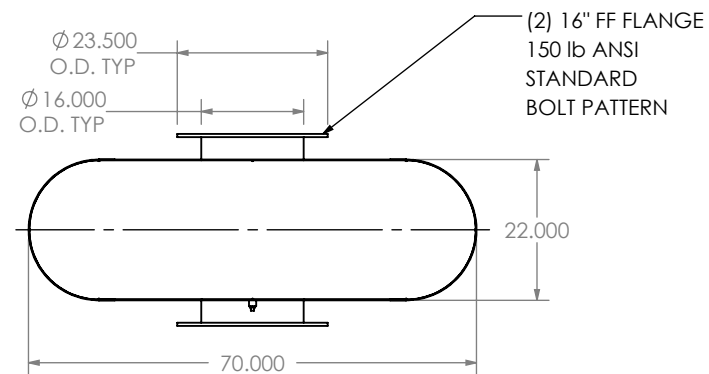


EXHAUST FLOW



1/2" DRAIN PORT

NOTES:

- DO NOT USE EQUIPMENT TO SUPPORT OTHER PARTS OF THE EXHAUST SYSTEM WITHOUT PROPER REINFORCEMENT

MATERIAL CONSTRUCTION:

- CARBON STEEL

PAINT:

- HIGH TEMPERATURE BLACK (MIRATECH COATING SYSTEM 5)

| | |
|-----------------|--|
| PROJECT NAME | |
| PROPOSAL NUMBER | |
| SALES ORDER NO. | |
| CUSTOMER P.O. | |

PROPRIETARY AND CONFIDENTIAL

THE INFORMATION CONTAINED IN THIS DRAWING IS THE SOLE PROPERTY OF MIRATECH GROUP, LLC. ANY REPRODUCTION IN PART OR AS A WHOLE WITHOUT THE WRITTEN PERMISSION OF MIRATECH GROUP, LLC IS PROHIBITED.

DIMENSIONS ARE IN INCHES UNLESS OTHERWISE SPECIFIED

| | |
|---|-----------------|
| DIMENSIONAL TOLERANCES UNLESS OTHERWISE SPECIFIED | |
| ANGLES | |
| MACH: ±1° | INCHES: ±0.125 |
| BEND: ±3° | MILLIMETERS: ±2 |

DO NOT SCALE DRAWING

| | |
|-------------|------------|
| DRAWN | DATE |
| FES | 09/16/2016 |
| REVIEWED BY | DATE |
| AJM | 09/30/2016 |

| | | | |
|---|------------|----------------|--------------|
| | | | |
| <p>OCBT0-16PF-2-00002VEA Sales Drawing</p> | | | |
| DRAWING | | REV | |
| OCBT0-16PF-2-00002VEA SD | | 0 | |
| SIZE | SCALE 1:30 | WEIGHT: 802 lb | SHEET 1 OF 1 |
| A | | | |