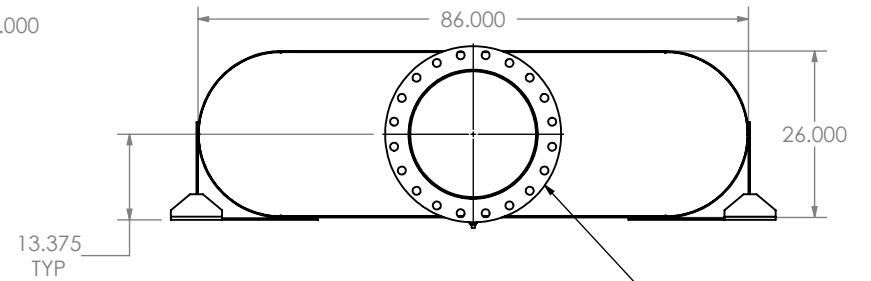
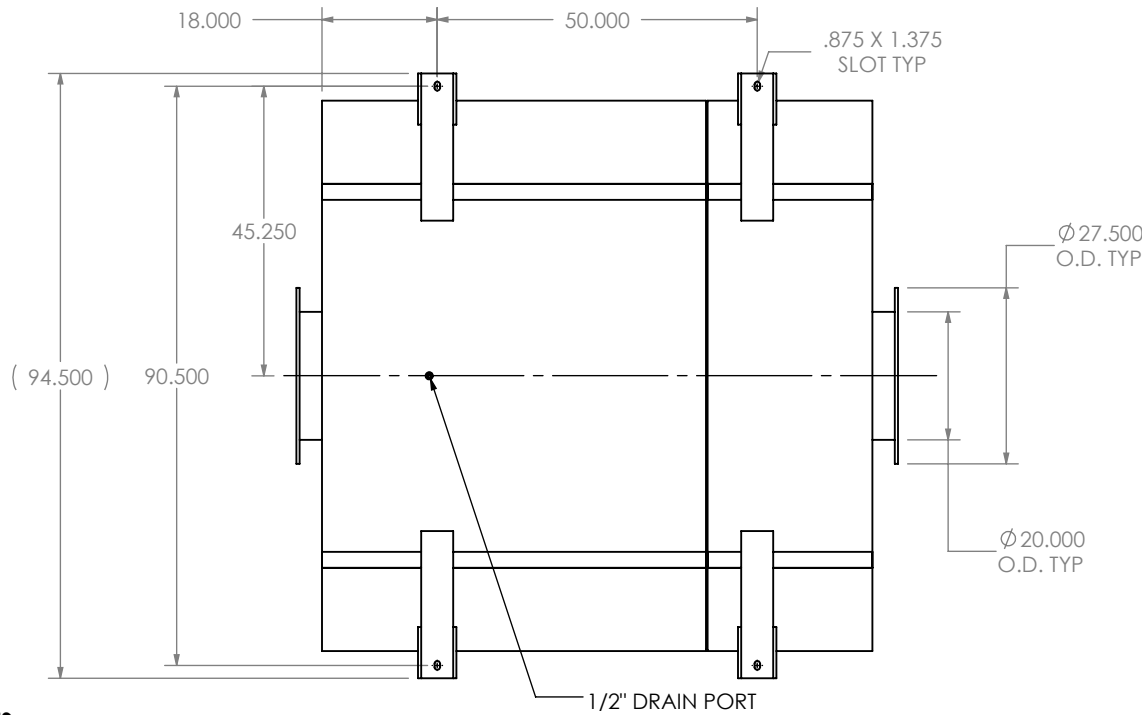


EXHAUST FLOW



(2) 20" FF FLANGE
150 lb ANSI
STANDARD
BOLT PATTERN



NOTES:

- DO NOT USE EQUIPMENT TO SUPPORT OTHER PARTS OF THE EXHAUST SYSTEM WITHOUT PROPER REINFORCEMENT

MATERIAL CONSTRUCTION:

- CARBON STEEL

PAINT:

- HIGH TEMPERATURE BLACK (MIRATECH COATING SYSTEM 5)

| | |
|-----------------|--|
| PROJECT NAME | |
| PROPOSAL NUMBER | |
| SALES ORDER NO. | |
| CUSTOMER P.O. | |

PROPRIETARY AND CONFIDENTIAL

THE INFORMATION CONTAINED IN THIS DRAWING IS THE SOLE PROPERTY OF MIRATECH GROUP, LLC. ANY REPRODUCTION IN PART OR AS A WHOLE WITHOUT THE WRITTEN PERMISSION OF MIRATECH GROUP, LLC IS PROHIBITED.

DIMENSIONS ARE IN INCHES UNLESS OTHERWISE SPECIFIED

| | |
|---|-----------------|
| DIMENSIONAL TOLERANCES UNLESS OTHERWISE SPECIFIED | |
| ANGLES: | |
| MACH: ±1° | INCHES: ±0.125 |
| BEND: ±3° | MILLIMETERS: ±2 |

| | |
|----------------------|------------|
| DO NOT SCALE DRAWING | |
| DRAWN | DATE |
| FES | 9/16/2016 |
| REVIEWED BY | DATE |
| AJM | 09/30/2016 |

| | | | |
|--|---|---------------------------|---------|
| | | | |
| <p>OCEE0B-20PF-2-00000000 Sales Drawing</p> | | | |
| DRAWING | | OCEE0B-20PF-2-00000000 SD | |
| REV | 0 | SCALE | 1:30 |
| SIZE | A | WEIGHT | 1387 lb |
| | | SHEET 1 OF 1 | |