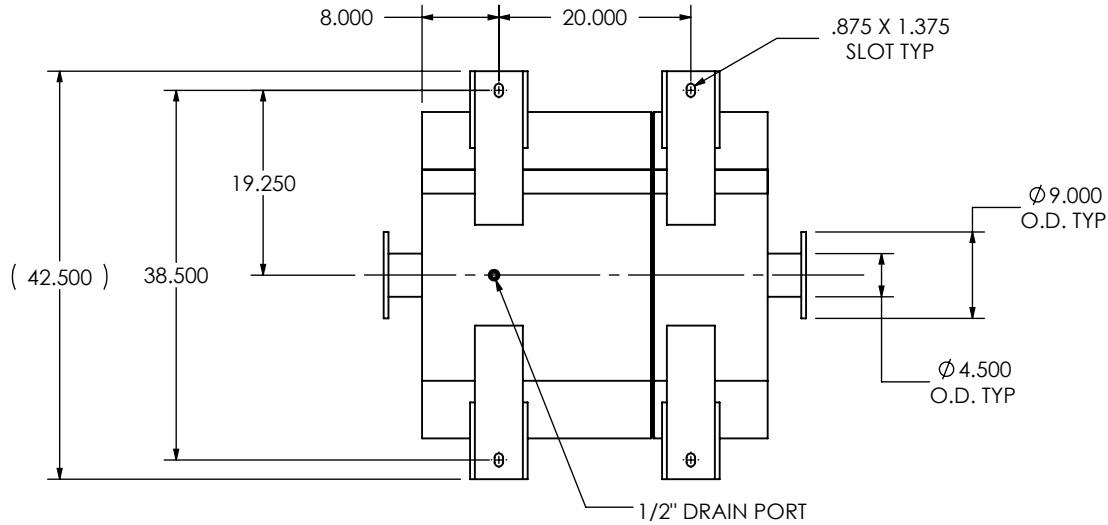
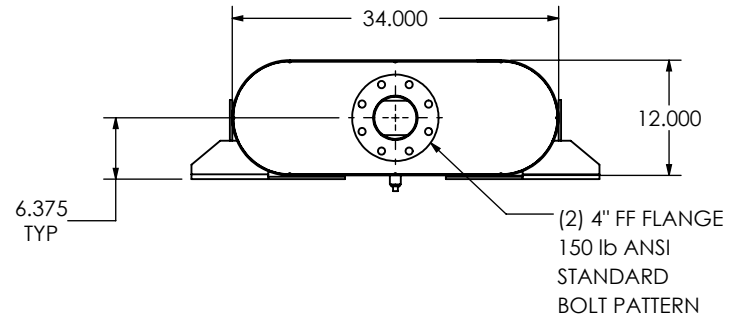


EXHAUST FLOW →



NOTES:

- DO NOT USE EQUIPMENT TO SUPPORT OTHER PARTS OF THE EXHAUST SYSTEM WITHOUT PROPER REINFORCEMENT

MATERIAL CONSTRUCTION:

- CARBON STEEL

PAINT:

- HIGH TEMPERATURE BLACK (MIRATECH COATING SYSTEM 5)

| |
|-----------------|
| PROJECT NAME |
| PROPOSAL NUMBER |
| SALES ORDER NO. |
| CUSTOMER P.O. |

PROPRIETARY AND CONFIDENTIAL

THE INFORMATION CONTAINED IN THIS DRAWING IS THE SOLE PROPERTY OF MIRATECH GROUP, LLC. ANY REPRODUCTION IN PART OR AS A WHOLE WITHOUT THE WRITTEN PERMISSION OF MIRATECH GROUP, LLC IS PROHIBITED.

DIMENSIONS ARE IN INCHES UNLESS OTHERWISE SPECIFIED

| | |
|---|-----------------|
| DIMENSIONAL TOLERANCES UNLESS OTHERWISE SPECIFIED | |
| ANGLES: | |
| MACH: ±1" | INCHES: ±0.125 |
| BEND: ±3° | MILLIMETERS: ±2 |

DO NOT SCALE DRAWING

| | |
|-------------|------------|
| DRAWN | DATE |
| FES | 9/16/2016 |
| REVIEWED BY | DATE |
| AJM | 09/30/2016 |



**OHEE2B-04PF-2-00000000
Sales Drawing**

| | | | | |
|---------|-------|---------------------------|--------|-----|
| DRAWING | | OHEE2B-04PF-2-00000000 SD | | REV |
| | | | | 0 |
| SIZE | SCALE | WEIGHT | SHEET | |
| A | 1:20 | 315 lb | 1 OF 1 | |