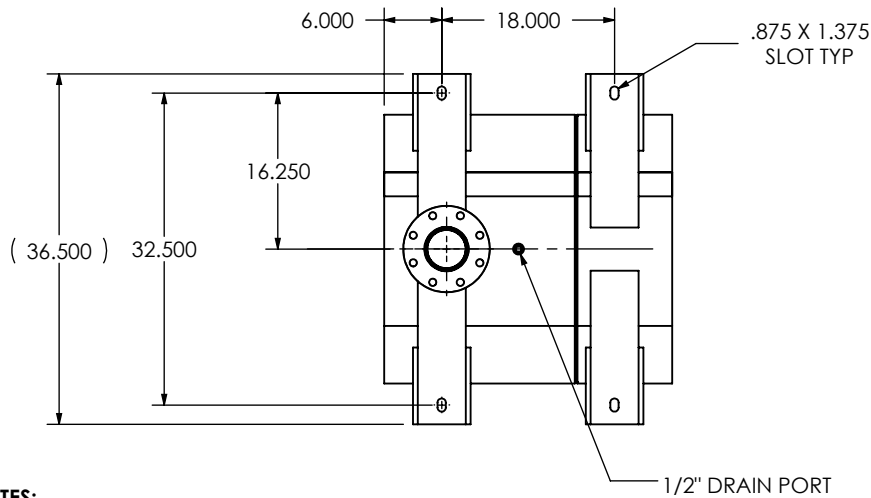
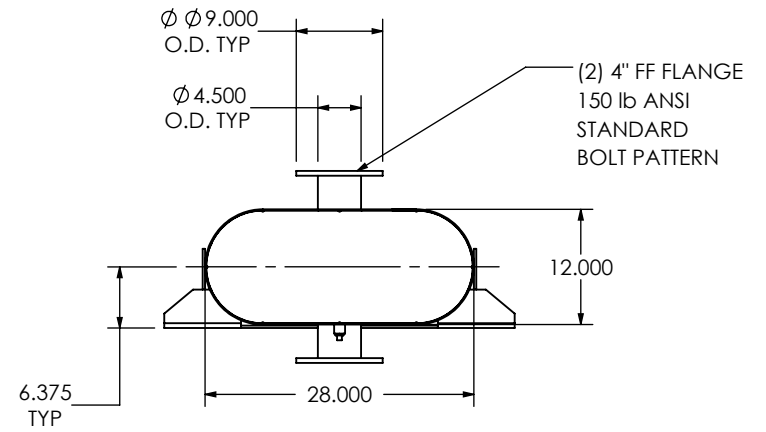


EXHAUST FLOW



NOTES:

- DO NOT USE EQUIPMENT TO SUPPORT OTHER PARTS OF THE EXHAUST SYSTEM WITHOUT PROPER REINFORCEMENT

MATERIAL CONSTRUCTION:

- CARBON STEEL

PAINT:

- HIGH TEMPERATURE BLACK (MIRATECH COATING SYSTEM 5)

PROJECT NAME	
PROPOSAL NUMBER	
SALES ORDER NO.	
CUSTOMER P.O.	

PROPRIETARY AND CONFIDENTIAL



THE INFORMATION CONTAINED IN THIS DRAWING IS THE SOLE PROPERTY OF MIRATECH GROUP, LLC. ANY REPRODUCTION IN PART OR AS A WHOLE WITHOUT THE WRITTEN PERMISSION OF MIRATECH GROUP, LLC IS PROHIBITED.

DIMENSIONS ARE IN INCHES UNLESS OTHERWISE SPECIFIED

DIMENSIONAL TOLERANCES UNLESS OTHERWISE SPECIFIED	
ANGLES:	
MACH: ±1"	INCHES: ±0.125
BEND: ±3"	MILLIMETERS: ±2

DO NOT SCALE DRAWING

DRAWN	DATE
FES	09/16/2016
REVIEWED BY	DATE
AJM	09/30/2016

			
<p>OSCBT2B-04PF-2-00001JDK Sales Drawing</p>			
DRAWING		REV	
OSCBT2B-04PF-2-00001JDK SD		0	
SIZE	SCALE 1:20	WEIGHT: 252 lb	SHEET 1 OF 1
A			