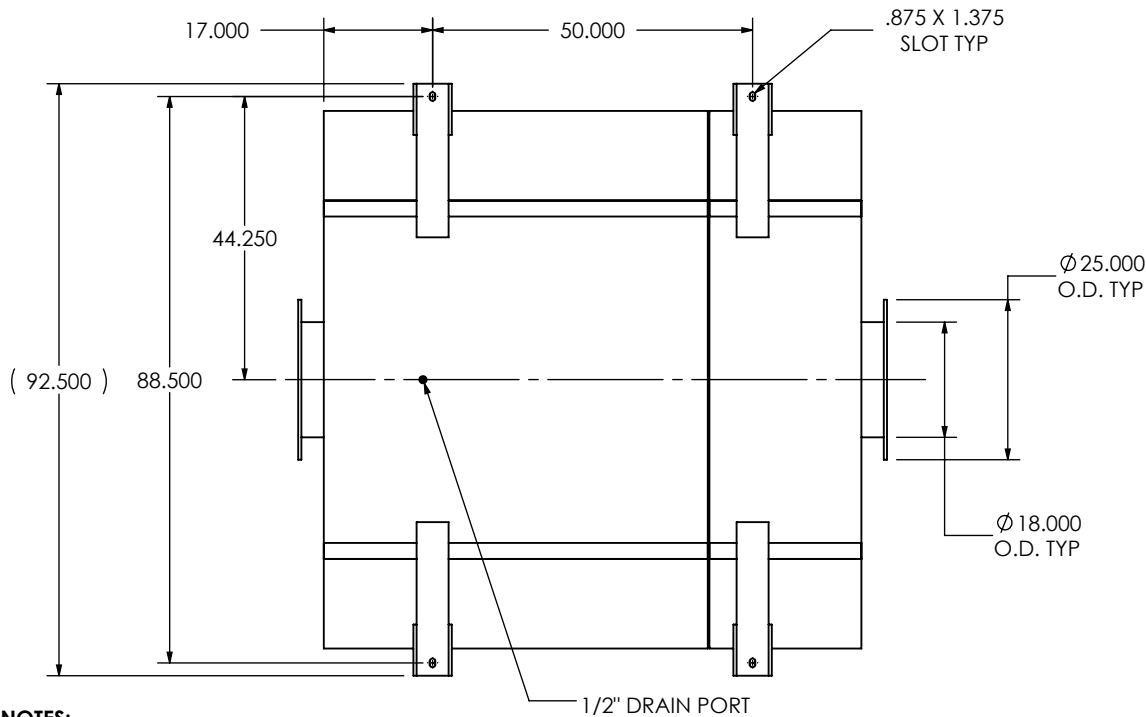


(2) 18" FF FLANGE  
150 lb ANSI  
STANDARD  
BOLT PATTERN

EXHAUST FLOW



**NOTES:**

- DO NOT USE EQUIPMENT TO SUPPORT OTHER PARTS OF THE EXHAUST SYSTEM WITHOUT PROPER REINFORCEMENT

**MATERIAL CONSTRUCTION:**

- CARBON STEEL

**PAINT:**

- HIGH TEMPERATURE BLACK (MIRATECH COATING SYSTEM 5)

PROJECT NAME	
PROPOSAL NUMBER	
SALES ORDER NO.	
CUSTOMER P.O.	

**PROPRIETARY AND CONFIDENTIAL**



THE INFORMATION CONTAINED IN THIS DRAWING IS THE SOLE PROPERTY OF MIRATECH GROUP, LLC. ANY REPRODUCTION IN PART OR AS A WHOLE WITHOUT THE WRITTEN PERMISSION OF MIRATECH GROUP, LLC IS PROHIBITED.

DIMENSIONS ARE IN INCHES UNLESS OTHERWISE SPECIFIED

DIMENSIONAL TOLERANCES UNLESS OTHERWISE SPECIFIED	
ANGLES:	
MACH: ±1"	INCHES: ±0.125
BEND: ±3"	MILLIMETERS: ±2

DO NOT SCALE DRAWING

DRAWN	DATE
FES	9/16/2016
REVIEWED BY	DATE
AJM	09/30/2016

 	
<p><b>OSCEE2B-18PF-2-0000000</b> Sales Drawing</p>	
DRAWING	
OSCEE2B-18PF-2-0000000 SD	
REV	0
SIZE	A
SCALE	1:30
WEIGHT	2029 lb
SHEET 1 OF 1	